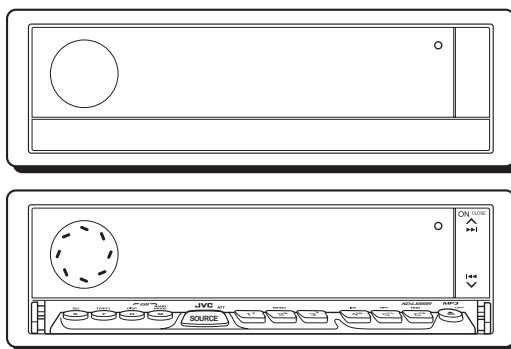
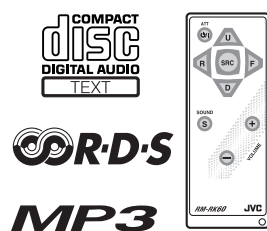


JVC

SERVICE MANUAL

CD RECEIVER

KD-LX555R



Area Suffix
E ----- Continental Europe

TABLE OF CONTENTS

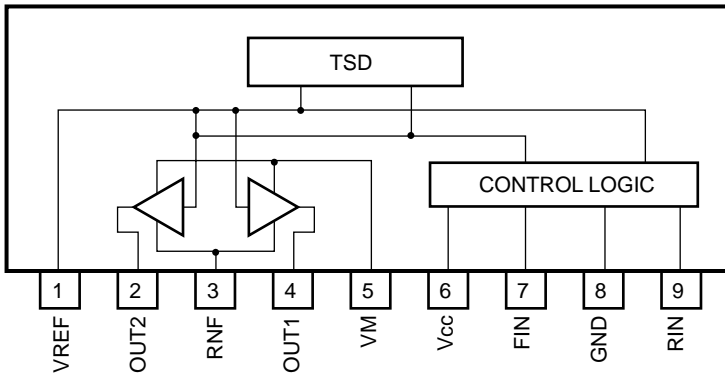
1	Precautions	3
2	Disassembly method	5
3	Adjustment.....	28
4	Description of major ICs.....	32

SECTION 4

Description of major ICs

4.1 BA6956AN (IC830, IC831) : Reversible motor driver

- Block diagram



- Pin function

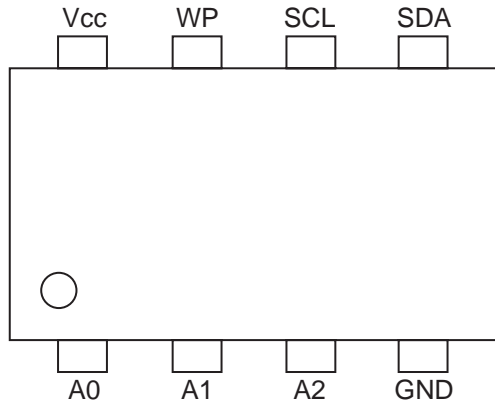
Pin No.	Symbol	Function
1	VREF	Output high voltage level control terminal
2	OUT2	Output terminal for motor
3	RNF	GND of driver division
4	OUT1	Output terminal for motor
5	VM	Power supply for driver division
6	Vcc	Power supply for signal division
7	FIN	Input terminal for control logic
8	GND	GND
9	RIN	Input terminal for control logic

- Truth table

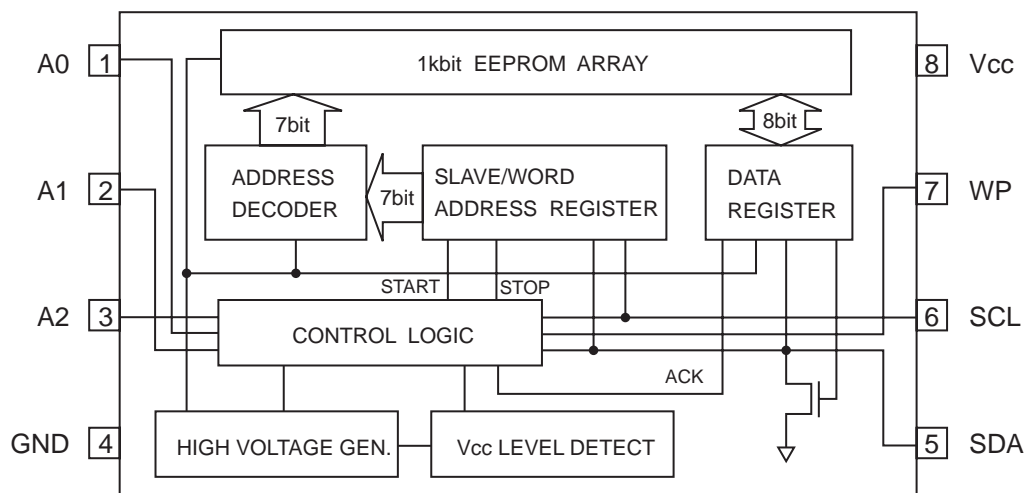
FIN	RIN	OUT1	OUT2	MODE
H	L	H	L	Forward rotation mode
L	H	L	H	Reverse rotation mode
H	H	L	L	Break Mode
L	L	OPEN	OPEN	Stand-by mode

4.2 BR24C01AFV-W-X (IC1502) : EEPROM

- Pin layout



- Block diagram



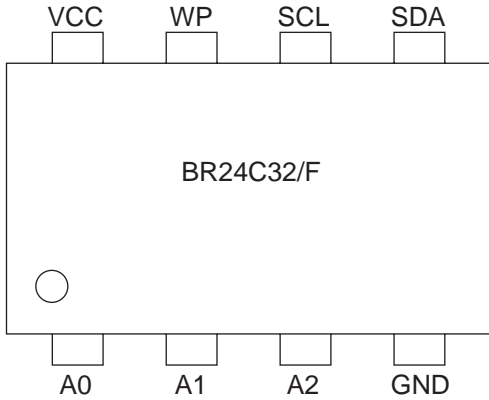
- Pin function

Pin name	I/O	Description
Vcc	-	Power supply
GND	-	Ground (0v)
A0,A1,A2	IN	Slave address set
SCL	IN	Serial clock input
SDA	IN / OUT	Slave and word addressserial data input serial data output *1
WP	IN	Write protect input

*1 An open drain output requires a pull-up resistor.

4.3 BR24C32F (IC703) : EEPROM

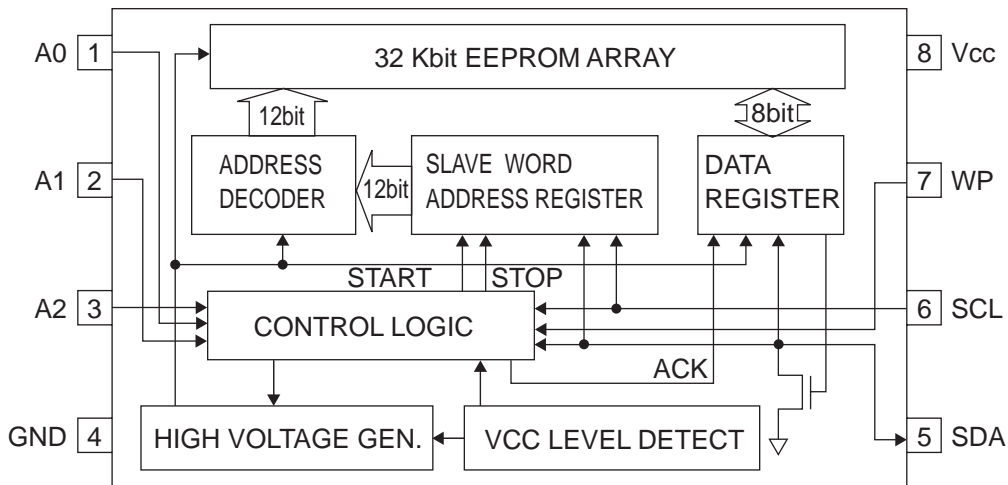
- Pin Layout



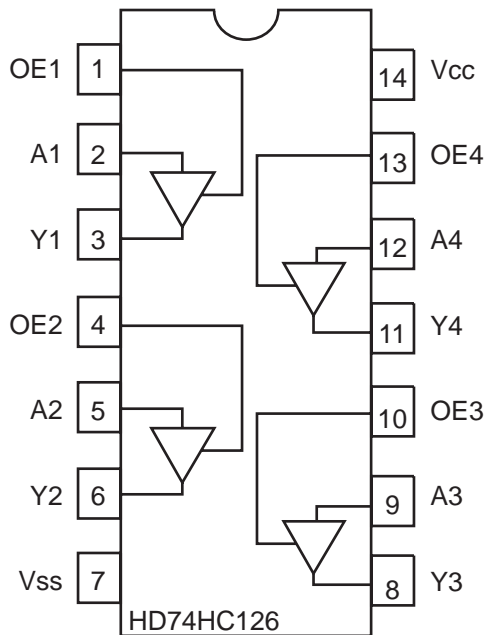
- Pin layout & Block diagram

PIN NAME	I/O	Function
VCC	-	Power Supply
GND	-	Ground (0V)
A0-A2	I	Slave Address Set
SCL	I	Serial Clock Input
SDA	I/O	Slave and Word Address. Serial Data Input\$ Serial Data Output *1
WP	I	Write Protect Input

- Pin function



4.4 HD74HC126FP (IC771) : Changer Control

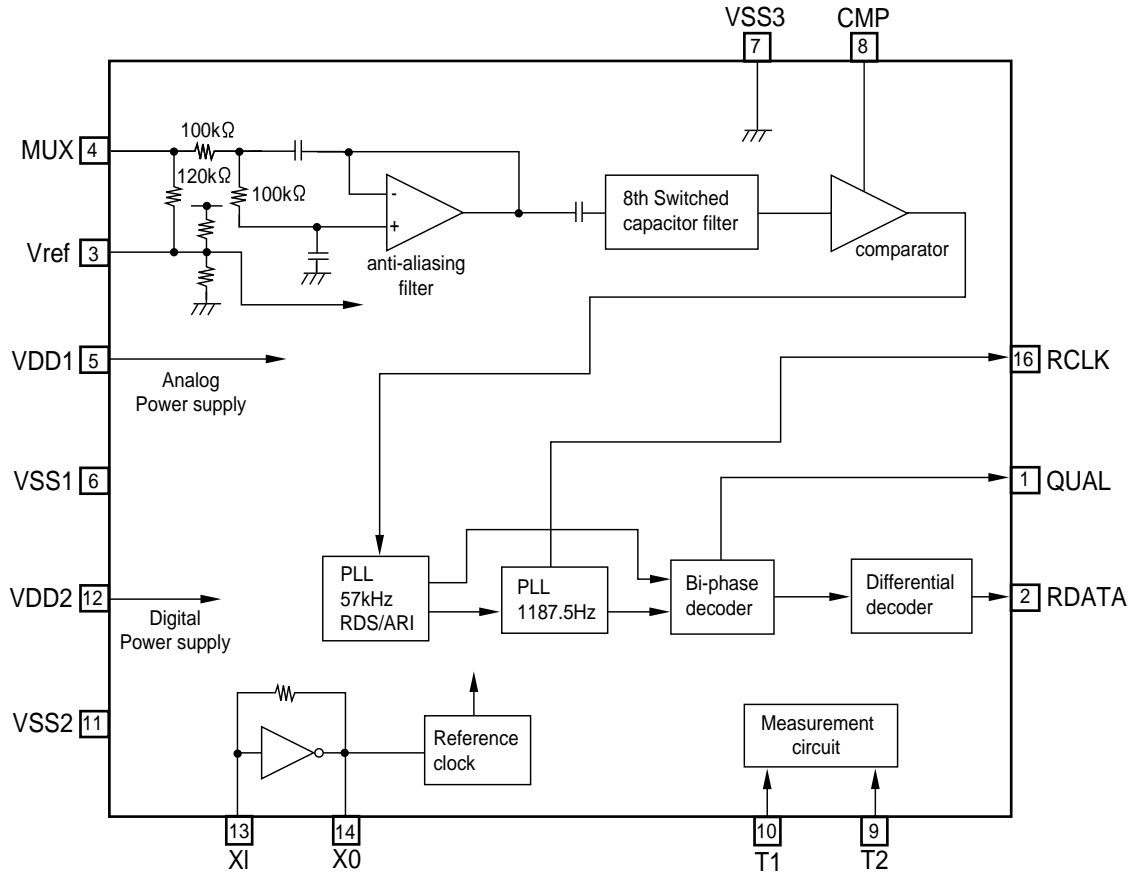


4.5 BU1923F (IC51) : RDS decoder

- Pin layout

QUAL	1	16	RCLK
RDATA	2	15	N.C.
Vref	3	14	XO
MUX	4	13	XI
VDD1	5	12	VDD2
VSS1	6	11	VSS2
VSS3	7	10	T1
CMP	8	9	T2

- Block diagram

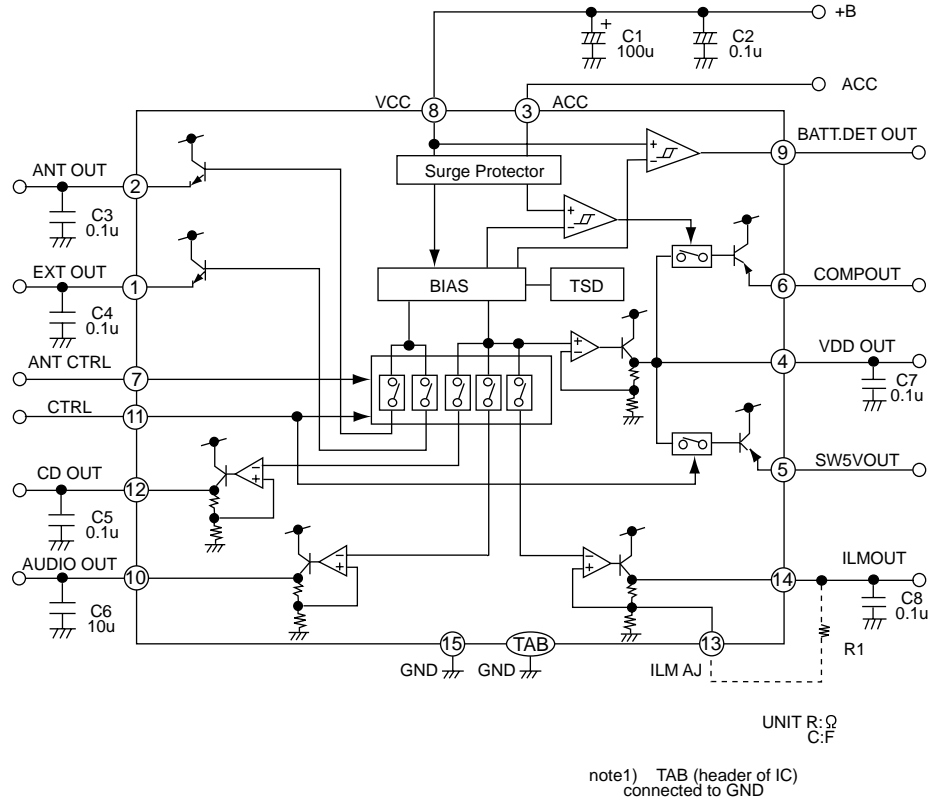


4.6 HA13164A (IC961) : Regulator

• Terminal layout



• Block diagram

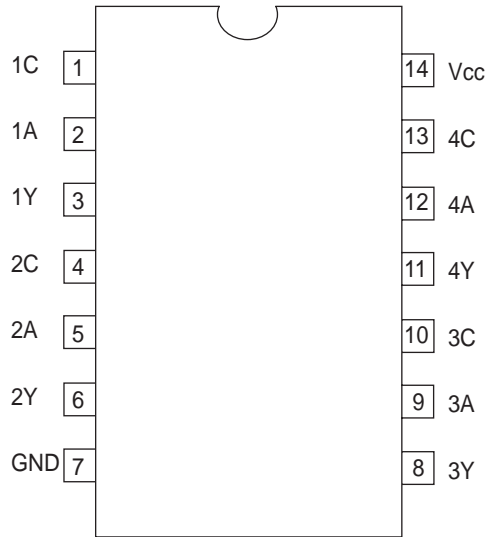


• Pin function

Pin No.	Symbol	Function
1	EXTOUT	Output voltage is VCC-1 V when M or H level applied to CTRL pin.
2	ANTOUT	Output voltage is VCC-1 V when M or H level to CTRL pin and H level to ANT-CTRL.
3	ACCIN	Connected to ACC.
4	VDDOUT	Regular 5.7V.
5	SW5VOUT	Output voltage is 5V when M or H level applied to CTRL pin.
6	COMPOUT	Output for ACC detector.
7	ANT CTRL	L:ANT output OFF H:ANT output ON
8	VCC	Connected to VCC.
9	BATT DET	Low battery detect.
10	AUDIO OUT	Output voltage is 9V when M or H level applied to CTRL pin.
11	CTRL	L:BIAS OFF M:BIAS ON H:CD ON
12	CD OUT	Output voltage is 8V when H level applied to CTRL pin.
13	ILM AJ	Adjustment pin for ILM output voltage.
14	ILM OUT	Output voltage is 10V when M or H level applied to CTRL pin.
15	GND	Connected to GND.

4.7 HD74HCT126T-X : (IC1500,IC1503) Buffer

• Pin arrangement

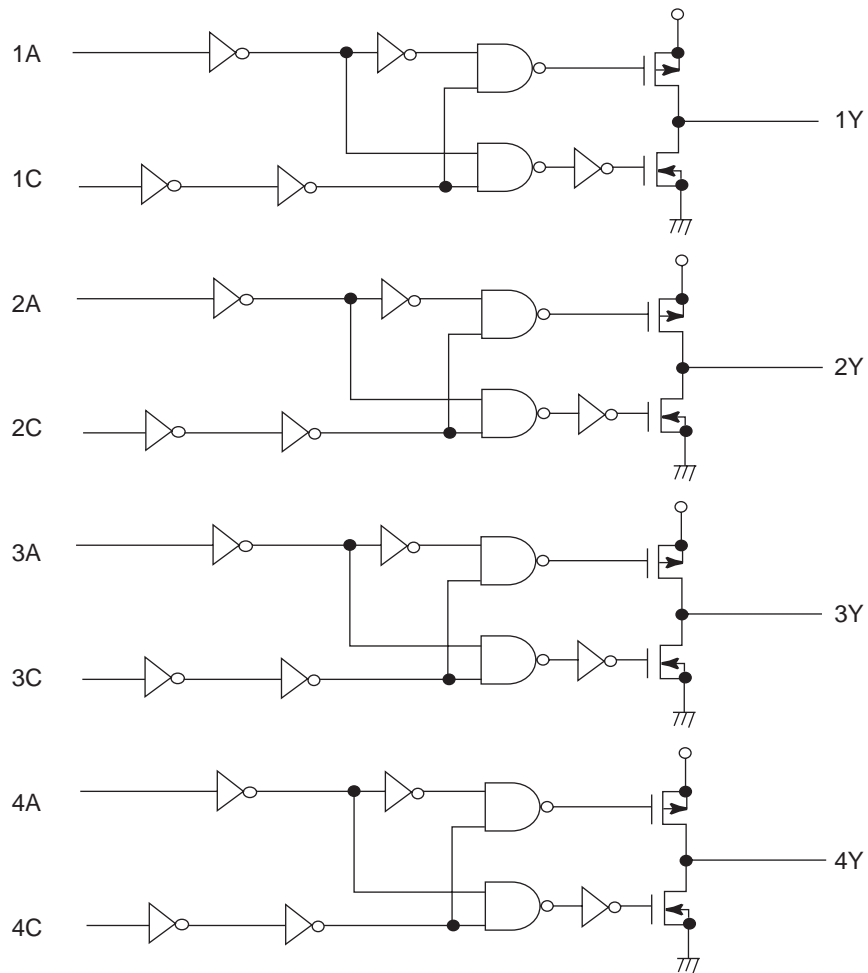


• Pin function

Input		Output
C	A	Y
L	X	Z
H	L	L
H	H	H

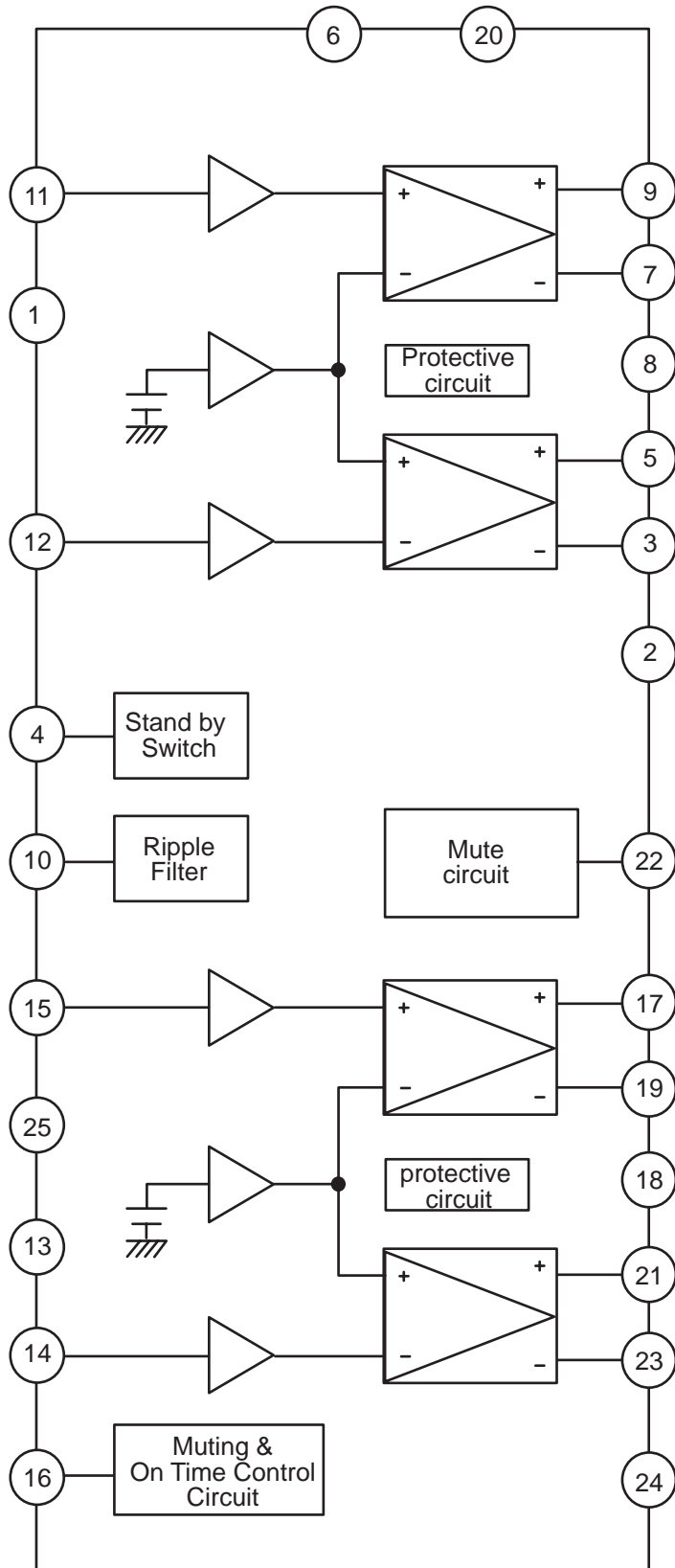
H : High level
 L : Low level
 X : Irrelevant
 Z : Off (High-impedance)state of a 3-stage output

• Block diagram

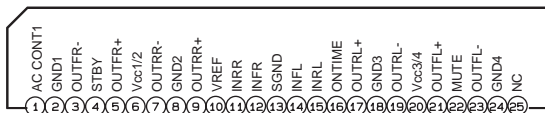


4.8 LA47505 (IC941) : Power amp.

- Terminal layout



- Terminal layout

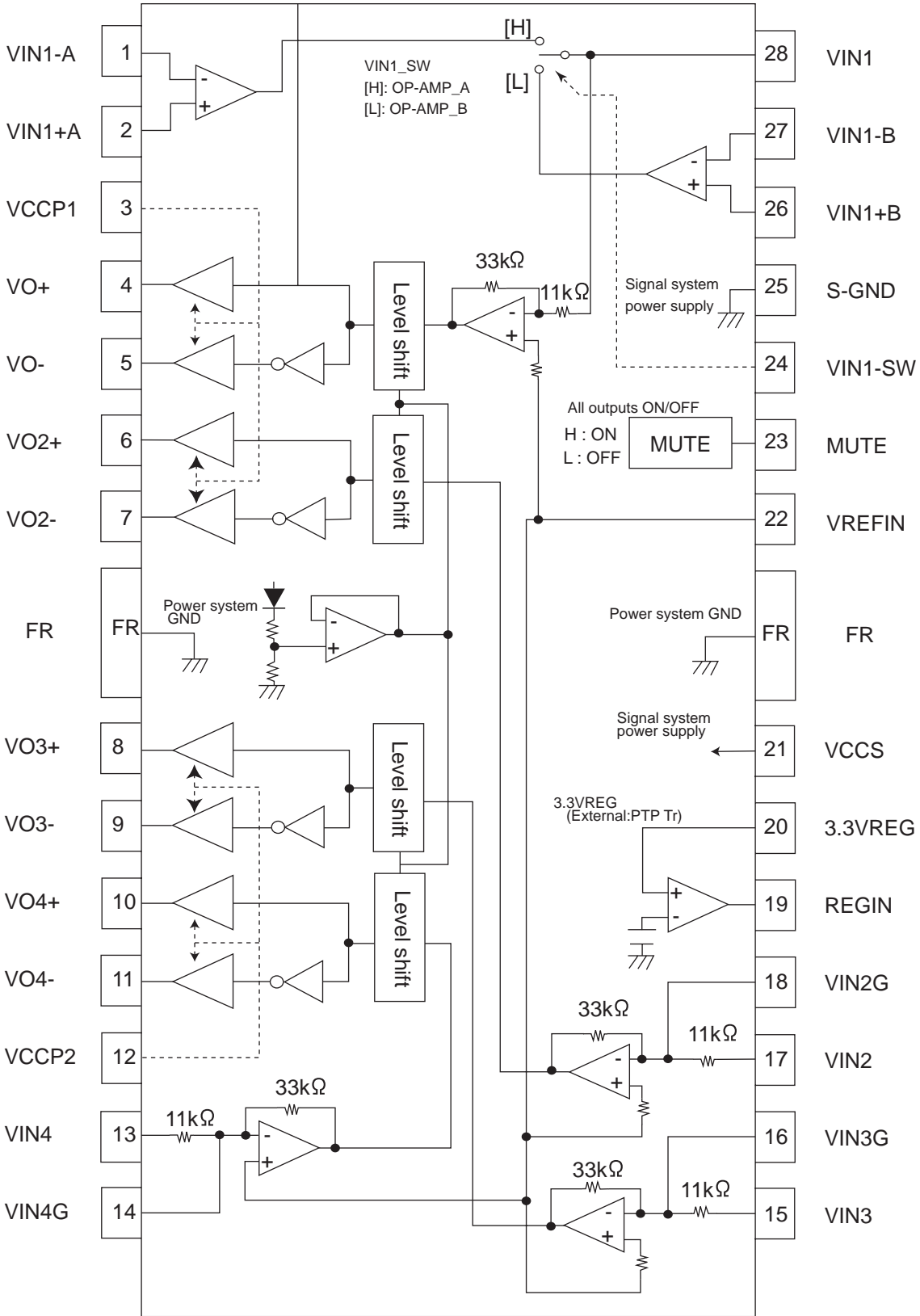


- Pin function

Pin No.	Symbol	Function
1	AC CONT1	Header of IC
2	GND1	Power GND
3	OUTFR-	Output(-) for front Rch
4	STBY	Stand by input
5	OUTFR+	Output (+) for front Rch
6	Vcc1/2	Power input
7	OUTRR-	Output (-) for rear Rch
8	GND2	Power GND
9	OUTRR+	Output (+) for rear Rch
10	VREF	Ripple filter
11	INRR	Rear Rch input
12	INFR	Front Rch input
13	SGND	Signal GND
14	INFL	Front Lch input
15	INRL	Rear Lch input
16	ONTIME	Power on time control
17	OUTRL+	Output (+) for rear Lch
18	GND3	Power GND
19	OUTRL-	Output (-) for rear Lch
20	Vcc3/4	Power input
21	OUTFL+	Output (+) for front
22	MUTE	Muting control input
23	OUTFL-	Output (-) for front
24	GND4	Power GND
25	NC	No connection

4.9 LA6579H-X (IC1681) : 4-Channel bridge driver

- Pin layout & Block diagram

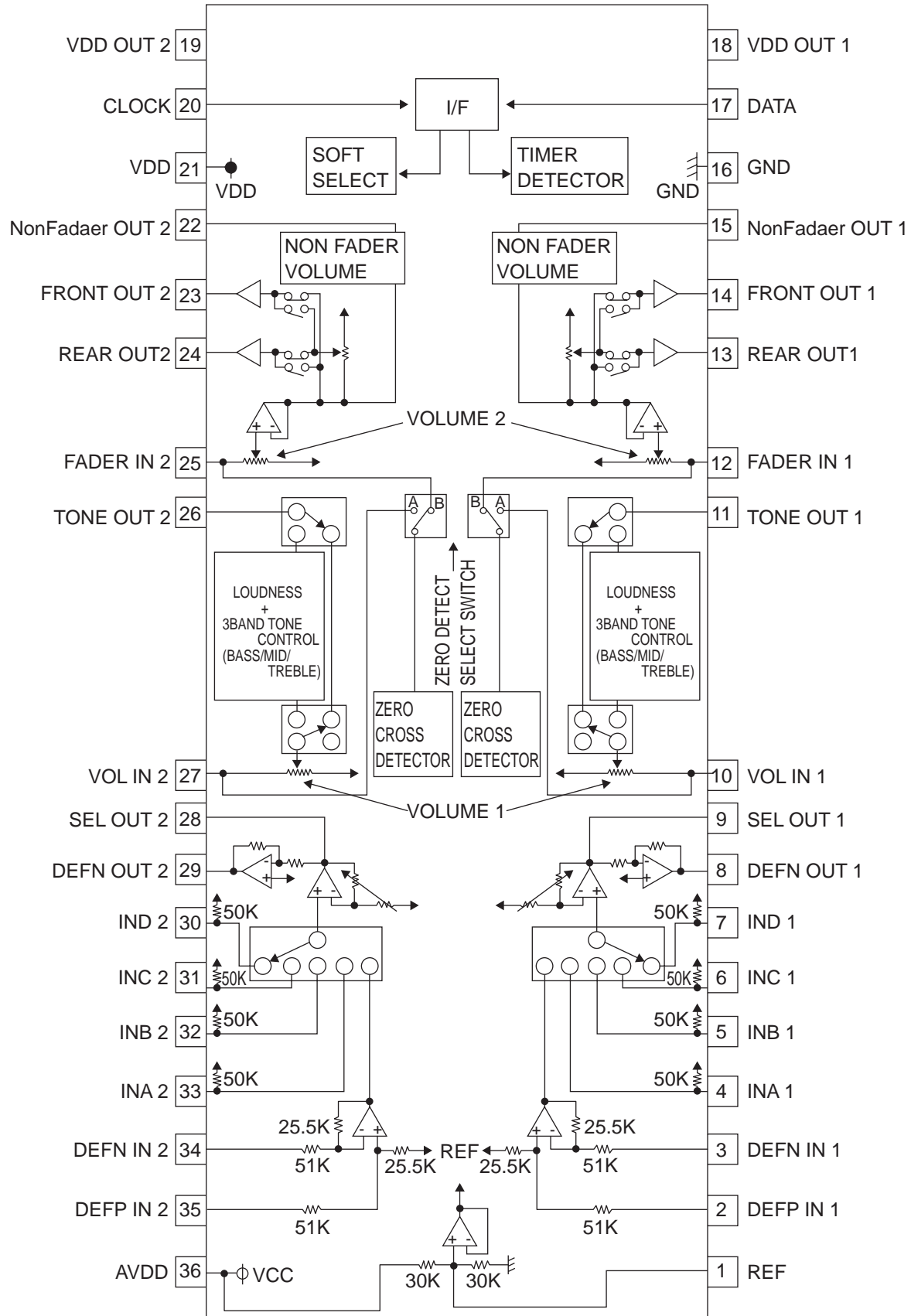


- Pin function

Pin No.	Symbol	Function
1	VIN1-A	CH1 input AMP_inverted input
2	VIN1+A	CH1 input AMP_non-inverted input
3	VCCP1	CH1 and CH2 power stage power supply
4	VO1+	Output pin(+)for channel 1
5	VO1-	CH1 output pin (-) for channel 1
6	VO2+	Output pin(+)for channel 2
7	VO2-	Output pin(-)for channel 2
8	VO3+	Output pin(+)for channel 3
9	VO3-	Output pin(-)for channel 3
10	VO4+	Output pin(+)for channel 4
11	VO4-	Output pin(-)for channel 4
12	VCCP2	CH3 and CH4 power stage powr supply
13	VIN4	Input pin for channel 4
14	VIN4G	Input pin for channel 4(for gain adjustment)
15	VIN3	Input pin for channel 3
16	VIN3G	Input pin for channel 3(for gain adjustment)
17	VIN2	Input pin for channel 2
18	VIN2G	Input pin for channel 2(for gain adjustment)
19	REGIN	External PNP transistor base connection
20	3.3VREG	3.3VREG output pin external PNP transistor,collector connection
21	VCCS	Signal system GND
22	VREFIN	Reference voltage application pin
23	MUTE	Output ON/OFF pin
24	VIN1_SW	CH1 input OP AMP_changeover pin
25	S_GND	Signal system GND
26	VIN1+B	CH1 AMP_B non-inverted input pin
27	VIN1-B	CH1 AMP_B inverted input pin
28	VIN1	CH1 input pin input OP_AMP output pin

4.10 M61508FP (IC400) : E.volume

- Pin layout & Block diagram

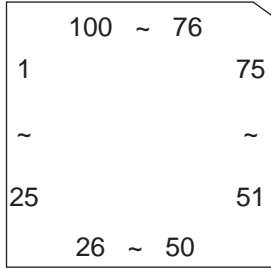


- Pin function

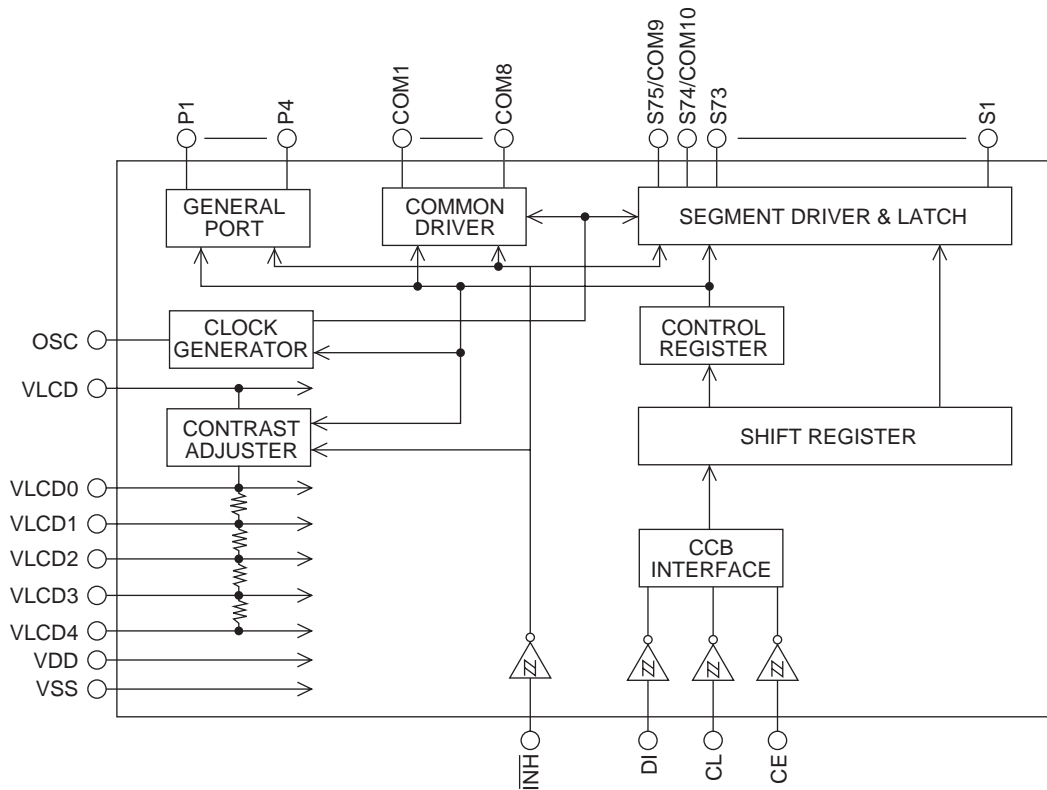
Pin No.	Symbol	Function
1	REF	IC signal GND
2	DEFP IN 1	Ope amp positive input
3	DEFN IN 1	Ope amp negative input
4	INA 1	Input selector ch1 input terminal
5	INB 1	Input selector ch1 input terminal
6	INC 1	Input selector ch1 input terminal
7	IND 1	Input selector ch1 input terminal
8	DEFN OUT 1	Operation outoutterminal (-)
9	SEL OUT 1	Input selector output terminal
10	VOL IN 1	Volume 1 input terminal
11	TONE OUT 1	Tone output terminal
12	FADER IN 1	Volume 2 input terminal
13	REAR OUT1	Fader volume (rear) output terminal
14	FRONT OUT 1	Fader volume (front) output terminal
15	NonFadaer OUT 1	Non fader volume output terminal
16	GND	GND
17	DATA	Control data input terminal
18	VDDOUT 1	Connect to GND with capacitor
19	VDDOUT 2	Connect to GND with capacitor
20	CLOCK	Serial data clock input terminal
21	VDD	VDD for digital
22	NonFadaer OUT 2	Non fader volume output terminal
23	FRONT OUT 2	Fader volume (front) output terminal
24	REAR OUT2	Fader volume (rear) output terminal
25	FADER IN 2	Volume 2 input terminal
26	TONE OUT 2	Tone output terminal
27	VOL IN 2	Volume 1 input terminal
28	SEL OUT 2	Input selector output terminal
29	DEFN OUT 2	Ope amp output terminal (-)
30	IND 2	Input selector switch ch2 input terminal
31	INC 2	Input selector switch ch2 input terminal
32	INB 2	Input selector switch ch2 input terminal
33	INA 2	Input selector switch ch2 input terminal
34	DEFN IN 2	Ope amp negative input terminal
35	IEFP IN 2	Ope amp positive input terminal
36	VCC	VCC for analog

4.11 LC75878W (IC601) : LCD driver

- Pin layout



- Block diagram

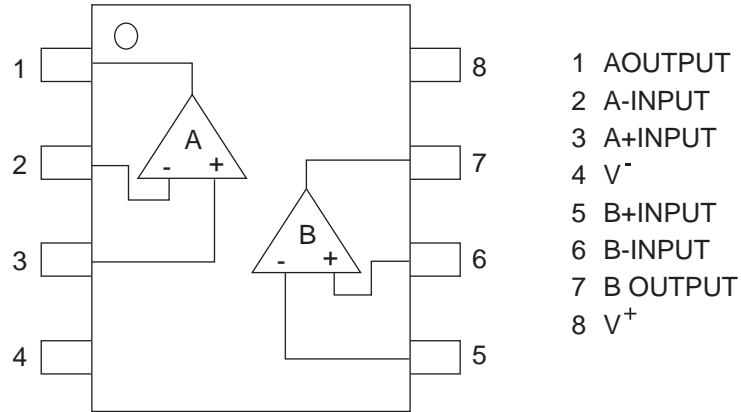


- Pin function

No.	Symbol	I/O	Function
1~73	SEG1~SEG73	O	Segment driver output pin.
74	SEG74	O	Segment driver output pin.
75	SEG75	O	Segment driver output pin.
76~83	COM8~COM1	O	Common driver output pin.
84~87	P1~P4	O	General-purpose output pin.
88	VDD	-	Logic block power supply pin.
89	VLCD	-	LCD driver power supply pin.
90	VLCD0	O	LCD driver bias 4/4 voltage (H-level) power pin.
91	VLCD1	I	LCD driver bias 3/4 voltage (intermediate level) power pin.
92	VLCD2	I	LCD driver bias 2/4 voltage (intermediate level) power pin.
93	VLCD3	I	LCD driver bias 1/4 voltage (intermediate level) power pin.
94	VLCD4	I	LCD driver bias 0/4 voltage (L-level) power pin.
95	VSS	-	Power supply pin to connect to ground.
96	OSC	I/O	Oscillator pin.
97	LCD RESET	I	Display off general-purpose output port "L" fixed input pin.
98	CE	I	Chip enable
99	CL	I	Synchronization clock
100	DI	I	Transfer data

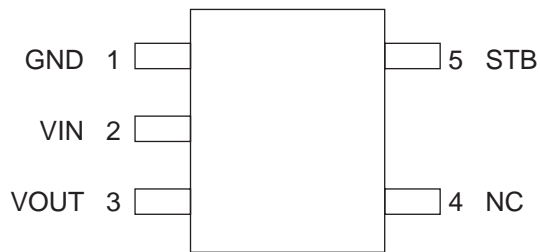
4.12 NJM4565V-X (IC1572) : Dual ope amp

- Terminal layout & Pin function

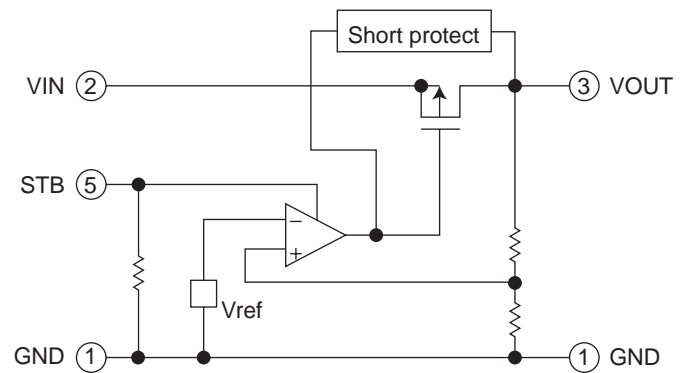


4.13 NJU7241F25 (IC1651) : Regulator

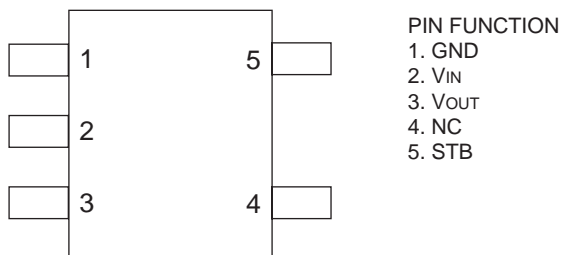
- Pin Layout



- Block Diagram



4.14 NJU7241F33 (IC1504) : Voltage regulator

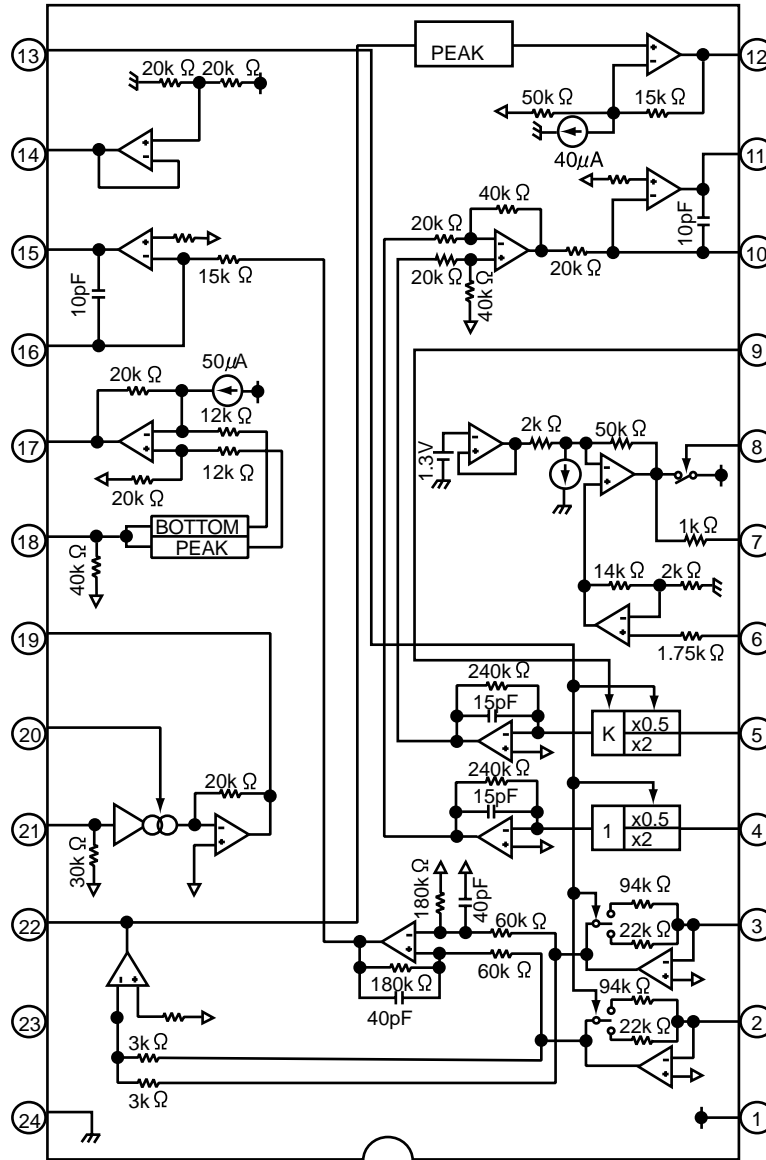


4.15 TA2157FN-X (IC1601):RF amp

- Terminal layout



- Block diagram



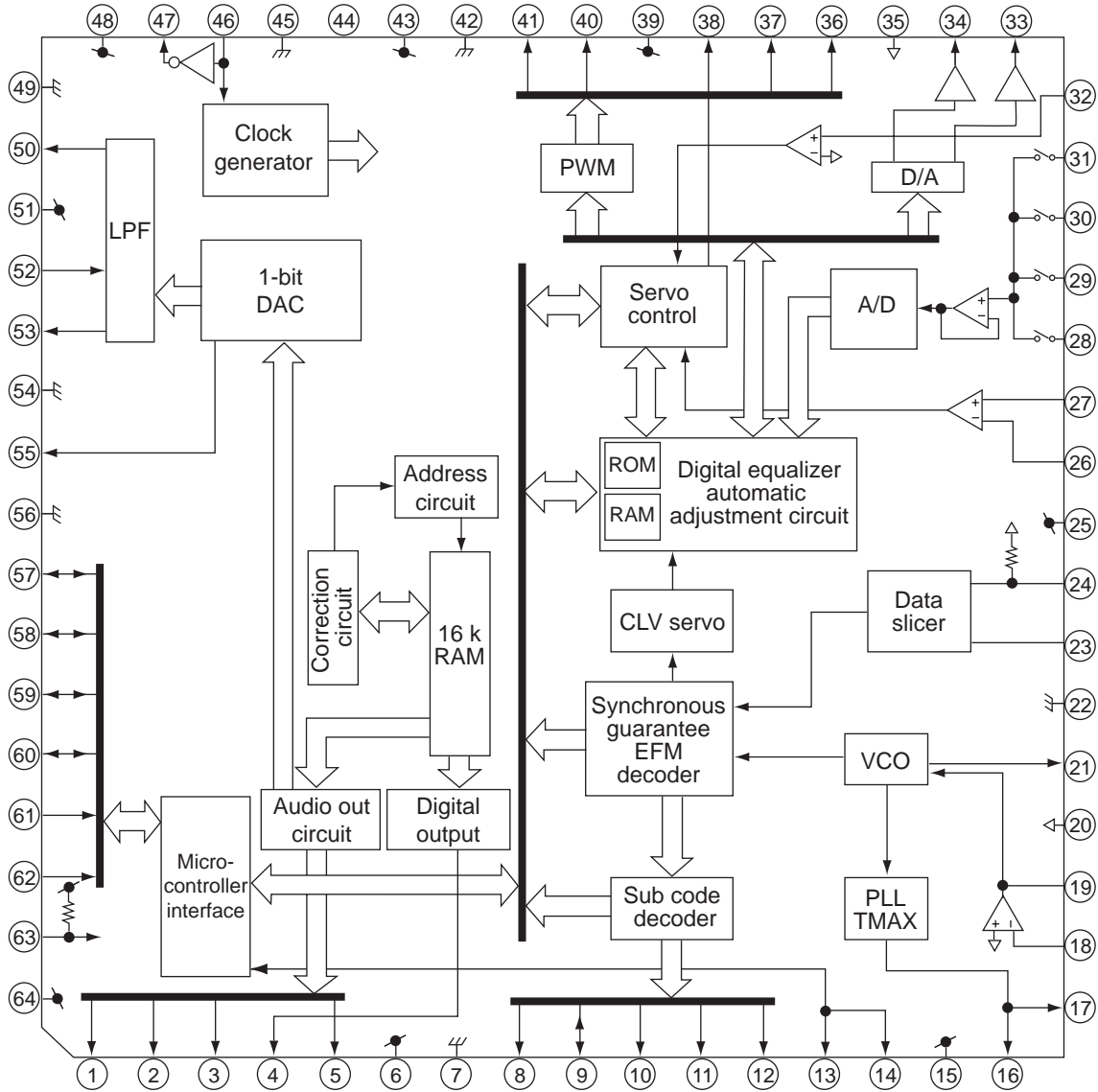
PIN	SEL (APC SW)	TEB (TE BAL)	RFGC (AGC Gian)	TEB (TE BAL)
VCC	APC ON	-50%	+12dB	Normal mode (0dB)
HiZ	APC ON	0%	+6dB	Normal mode (0dB)
GND	APC OFF (LDO=H)	50%	0dB	CD-RW mode (+12dB)

• Pin function

Pin No.	Symbol	I/O	Function												
1	VCC	-	3.3V power supply pin												
2	FNI	I	Main-beam amp input pin												
3	FPI	I	Main-beam amp input pin												
4	TPI	I	Sub-beam amp input pin												
5	TNI	I	Sub-beam amp input pin												
6	MDI	I	Monitor photo diode amp input pin												
7	LDO	O	Laser diode amp output pin												
8	SEL	I	APC circuit ON/OFF control signal, laser diode (LDO) control signal input or bottom/peak detection frequency change pin. <table border="1" data-bbox="662 548 1320 743" style="margin-left: auto; margin-right: auto;"> <thead> <tr> <th>SEL</th> <th>APC circuit</th> <th>LDO</th> </tr> </thead> <tbody> <tr> <td>GND</td> <td>OFF</td> <td>Connected VCC through 1kΩ resistor</td> </tr> <tr> <td>Hiz</td> <td>ON</td> <td>Control signal output</td> </tr> <tr> <td>VCC</td> <td>ON</td> <td>Control signal output</td> </tr> </tbody> </table>	SEL	APC circuit	LDO	GND	OFF	Connected VCC through 1kΩ resistor	Hiz	ON	Control signal output	VCC	ON	Control signal output
SEL	APC circuit	LDO													
GND	OFF	Connected VCC through 1kΩ resistor													
Hiz	ON	Control signal output													
VCC	ON	Control signal output													
9	TEB	I	Tracking error balance adjustment signal input pin Adjusts TE signal balance by eliminating carrier component from PWM signal (3-state output, PWM carrier = 88.2kHz) output from TC94A14F/FA TEBC pin using RC-LPF and inputting DC. TEBC input voltage:GND~VCC												
10	TEN	I	Tracking error signal generation amp negative-phase input pin												
11	TEO	O	Tracking error signal generation amp output pin. Combining TEO signal RFRP signal with TC94A14F/FA configures tracking search system.												
12	RFDC	O	RF signal peak detection output pin												
13	GVSW	I	AGC/FE/TE amp gain change pin <table border="1" data-bbox="865 1115 1114 1310" style="margin-left: auto; margin-right: auto;"> <thead> <tr> <th>GVSW</th> <th>Mode</th> </tr> </thead> <tbody> <tr> <td>GND</td> <td>CD-RW</td> </tr> <tr> <td>Hiz</td> <td>Normal</td> </tr> <tr> <td>VCC</td> <td></td> </tr> </tbody> </table>	GVSW	Mode	GND	CD-RW	Hiz	Normal	VCC					
GVSW	Mode														
GND	CD-RW														
Hiz	Normal														
VCC															
14	VRO	O	Reference voltage (VRO) output pin *VRO=1/2VCC When VCC=3.3V												
15	FEO	O	Focus error signal generation amp output pin												
16	FEN	I	Focus error signal generation amp negative-phase input pin												
17	RFRP	O	Signal amp output pin for track count Combining RFRP signal and TEO signal with TC94A14F/FA configures tracking search system.												
18	REIS	I	RF signal amplitude adjustment amp output pin Adjusts RF signal amplitude by eliminating carrier component from PWM signal (3-state output, PWM carrier=88.2kHz)output fromTC94A14F/14FA *RFGC pin using RC-LPF and inputting DC. *RFGC input voltage:GND~VCC												
19	RFGO	O													
20	RFGC	I													
21	AGCIN	I	RF signal amplitude adjustment amp input pin												
22	RFO	O	RF signal generation amp output pin												
23	RFI	I	RF signal generation amp input pin												
24	GND	-	GND pin												

4.16 TC94A14FA (IC1621) : DSP & DAC

• Terminal layout & block diagram



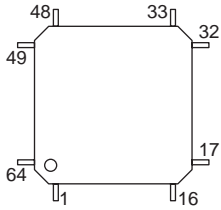
• Pin function

Pin No	Symbol	I/O	Description
1	BCK	O	Bit clock output pin. 32fs/48fs or 64fs selectable by command.
2	LRCK	O	L/R channel clock output pin. "L" for L channel and "H" for R channel. Output polarity can be inverted by command.
3	AOUT	O	Audio data output pin. MSB-first or LSB-first selectable by command.
4	DOUT	O	Digital data output pin. Outputs up to double-speed playback.
5	IPF	O	Correction flag output pin. When set to "H" AOUT output cannot be corrected by C2 correction processing.
6	V _{DD3}	-	Digital 3.3V power supply voltage pin.
7	V _{SS3}	-	Digital GND pin.
8	SBOK	O	Subcode Q data CRCC result output pin. "H" level when result is OK.
9	CLCK	O	Subcode P-W data read I/O pin. I/O polarity selectable by command.
10	DATA	O	Subcode P-W data output pin.
11	SFSY	O	Playback frame sync signal output pin.
12	SBSY	O	Subcode block sync signal output pin. "H" level at S1 when subcode sync is detected.
13	HSO	I/O	General-purpose input / output pins. Input port at reset.
14	UHSO		
15	PV _{DD3}	-	PLL-only 3.3V power supply voltage pin.
16	PDO	O	EFM and PLCK phase difference signal output pin.

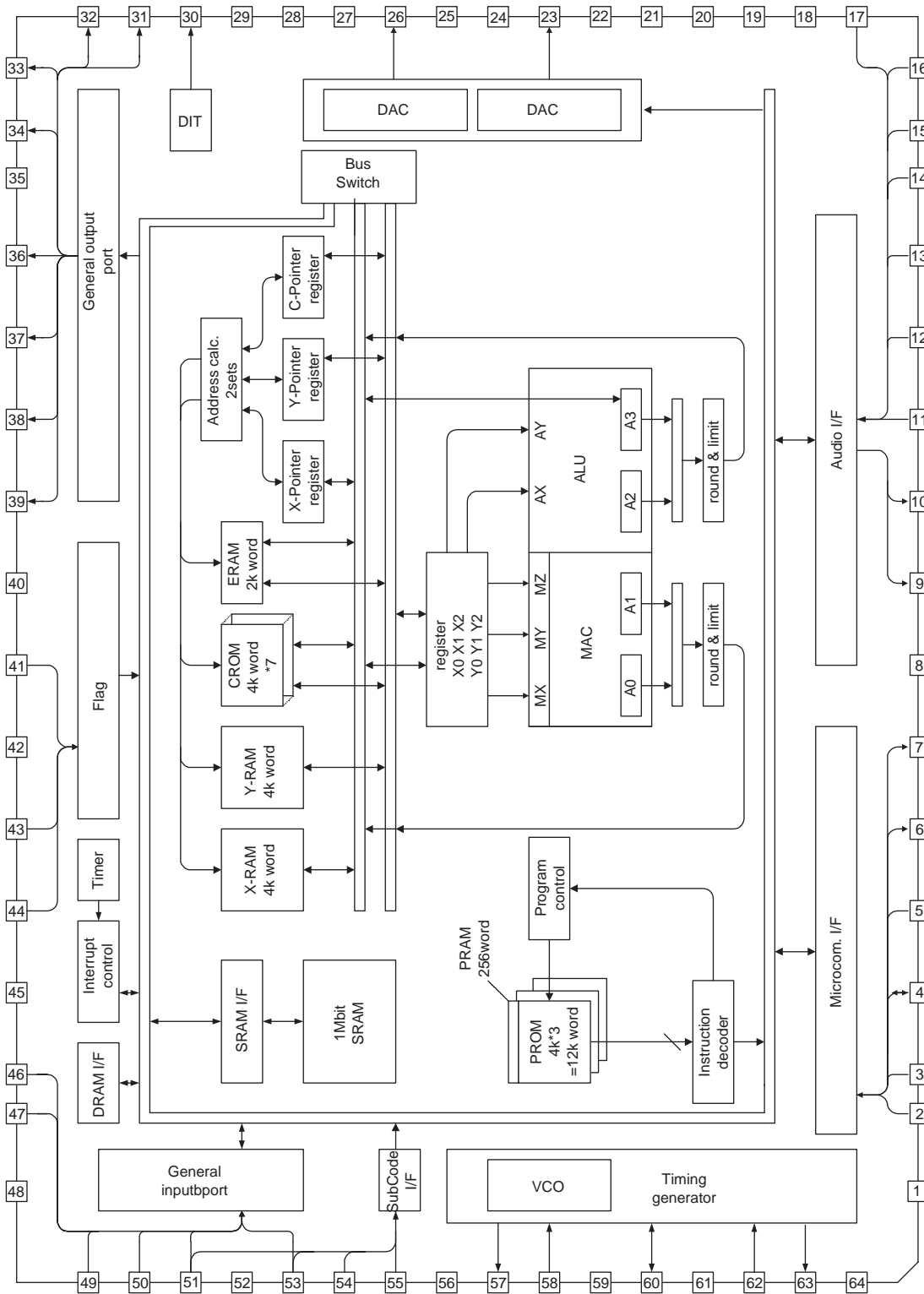
Pin No	Symbol	I/O	Description	
17	TMAX	O	TMAX detection result output pin.	
			TMAX Detection Result	TMAX Output
			Longer than fixed period	"PVDD3"
			Within fixed period	"HiZ"
Shorter than fixed period	"AVSS3"			
18	LPFN	I	Inverted input pin for PLL LPF amp.	
19	LPFO	O	Output pin for PLL LPF amp.	
20	PVREF	-	PLL-only VREF pin.	
21	VCOF	O	VCO filter pin.	
22	AV _{SS3}	-	Analog GND pin.	
23	SLCO	O	DAC output pin for data slice level generation.	
24	RFI	I	RF signal input pin. Zin selectable by command.	
25	AV _{DD3}	-	Analog 3.3V power supply voltage pin.	
26	RFACT	I	RFRP signal center level input pin.	
27	RFZI	I	RFRP signal zero-cross input pin.	
28	RFRP	I	RF ripple signal input pin.	
29	FEI	I	Focus error signal input pin.	
30	SBAD	I	Sub-beam adder signal input pin.	
31	TEI	I	Tracking error input pin. Inputs when tracking servo is on.	
32	TEZI	I	Tracking error signal zero-cross input pin.	
33	FOO	O	Focus equalizer output pin.	
34	TRO	O	Tracking equalizer output pin.	
35	VREF	-	Analog reference power supply voltage pin.	
36	RFGC	O	RF amplitude adjustment control signal output pin.	
37	TEBC	O	Tracking balance control signal output pin.	
38	SEL	O	APC circuit ON/OFF signal output pin. At laser on, high impedance with UHS="L", H output with UHS="H".	
39	AV _{DD3}	-	Analog 3.3V power supply voltage pin.	
40	FMO	O	Feed equalizer output pin.	
41	DMO	O	Disc equalizer output pin.	
42	V _{SS3}	-	Digital GND pin.	
43	V _{DD3}	-	Digital 3.3V power supply voltage pin.	
44	TESIN	I	Test input pin. Normally, fixed to "L".	
45	XV _{SS3}	-	System clock oscillator GND pin.	
46	XI	I	System clock oscillator input pin.	
47	XO	O	System clock oscillator output pin.	
48	XV _{DD3}	-	System clock oscillator 3.3V power supply voltage pin.	
49	DV _{SS3R}	-	DA converter GND pin.	
50	RO	O	R-channel data forward output pin.	
51	DV _{DD3}	-	DA converter 3.3V power supply pin.	
52	DVR	-	Reference voltage pin.	
53	LO	O	L-channel data forward output pin.	
54	DV _{SS3L}	-	DA converter GND pin.	
55	ZDET	O	1 bit DA converter zero detection flag output pin.	
56	V _{SS5}	-	Microcontroller interface GND pin.	
57	BUS0			
58	BUS1			
59	BUS2	I/O	Microcontroller interface data I/O pins.	
60	BUS3			
61	BUCK	I	Microcontroller interface clock input pin.	
62	/CCE	I	Microcontroller interface chip enable signal input pin. At "L", BUS0 to BUS3 are active.	
63	/RST	I	Reset signal input pin. At reset, "L".	
64	V _{DD5}	-	Microcontroller interface 5V power supply pin.	

4.17 TC94A20F-011 (IC1652) : DAC/SRAM built in type D-ROM decoder+ MP3 decoder

- Pin layout



- Block diagram

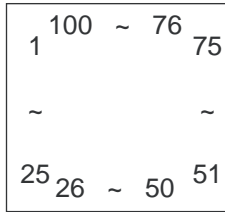


• Pin functions

Pin No	Symbol	I/O	Functions
1	/RESET	I	Hard reset input H:normal L:reset
2	MiMD	I	Micon I/F mode select input
3	/MiCS	I	Micon I/F chip select input
4	/MiLP	I	Micon I/F latch palus input
5	MiDio	I/O	Micon I/F data input/output
6	/MiCK	I	Micon I/F clock input
7	MiACK	O	Micon I/F acknowledge output
8	VDDT	-	Power supply for digital (3.3V)
9	SDo	O	Data output
10	BCKo	O	Bit output
11	LRCKo	O	LR clock output
12	SDiO	I	Data input 0
13	BCKiA	I	Bit clock input A
14	LRCKiA	I	LR clock input A
15	SDiL	I	Data input terminal 1
16	BCKiB	I	Bit clock input terminal B
17	LRCKiB	I	LR clock input terminal B
18	VDD	-	Power supply for digital (2.5V)
19	STANBY	I	Standby mode control input H:STBY L:normal
20	VSS	-	GND for digital
21	VSSL	-	GND for DAC Lch
22	VRAL	-	Reference voltage for DAC Lch
23	LO	O	DAC Lch output
24,25	VDAL,VDAR	-	Power supply for DAC Lch/Power supply for DAC Rch (2.5V)
26	RO	O	DAC Rch output
27	VRAR	-	Reference voltage for DAC Rch
28	VSSR	-	GND for DAC R ch
29	TESTP	I	Test terminal H:test mode L:normal
30	TXO	O	SPDIF output
31~34	Po0~Po3	O	General purpose output 0 ~ 3
35	VDDT	-	Power supply for digital (3.3V)
36~38	Po4~Po6	O	General purpose output 4 ~ 6
39	REQ	O	REC terminal
40	VSS	-	GND for digital
41	IRO	I/O	External interrupt input
42	VDDM	-	Internal 1Mbit SRAM power supply (2.5V)
43,44	Fi0,Fi1	I	Flug input 0,1
45	VSSM	-	GND for internal 1Mbit SRAM
46,47	Pi0,Pi1	I	General ourpose input 01
48	VSS	-	GND for digital
49,50	Pi2,Pi3	I	General purpose input 23
51	Pi4/CLCL	I	General purpose input 4/SUBQ I/F clock inputoutput
52	VDD	-	Power supply for digital (2.5V)
53	Pi5/DATA	I	General purpose input 5/SUBQ I/F data input
54	TSTiN/SFSY	I	Test terminal/SUBQ I/F flame sync input
55	Fi2/SBSY	I	Flug input 2/SUBQ I/F block sync input
56	VSSP	-	GND for VCO
57	Pdo	O	PLL phase error detection signal output
58	Vcoi	I	VCO control voltage input
59	VDDP	-	Power supply for VCO (2.5V)
60	CKo/CKi	I/O	External clock input/Clock output terminal
61	VDDX	-	Power supply for X'tal oscillator (2.5V)
62,63	Xi,Xo	I,O	Oscillator connection terminal for input/output
64	VSSX	-	GND for oscillator

4.18 UPD784217AGC208 (IC962) : Main micon

- Pin Layout



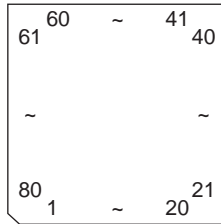
- Pin functions

Pin No	Symbol	I/O	Function
1	NC	-	Not use
2	NC	-	Not use
3	NC	-	Not use
4	NC	-	Not use
5	NC	-	Not use
6	NC	-	Not use
7	DIM_OUT	O	DIMMER pulse control output
8	ILLUM1	O	POWER ON:H,FLAT PANEL:L
9	VDD	-	5V
10	X2	-	
11	X1	-	
12	VSS	-	GND
13	XT2	-	
14	XT1	-	
15	RESET	I	Reset detection terminal
16	CD_P.REQ	I	CD mechanical switch 1 detection signal input
17	BUS_NT	I	J-BUS int
18	PS2	I	POWER SAVE2. Operating together with BACKUP.H input:STOP
19	H.REMOCON	I	Pulse signal for CRUISE input(only in 330R)
20	RDS_SCK	I	RDS clock input
21	RDS_DA	I	RDS data input
22	REMOCON	I	Remocon input(111R:READY)
23	AVDD	-	5V
24	AVREF0	-	5V
25	TEMP	I	Temperature detection input
26	KEY0	I	Key input 0
27	KEY1	I	Key input 1
28	KEY2	I	Key input 2
29	LEVEL	I	Level meter input
30	MRC	I	MRC output voltage detection
31	SQ	I	S.QUALITY level input
32	SM	I	S.METER level input
33	AVSS	-	GND
34	NC	-	Not use
35	DOT_CNT	O	Dot matrix contrast adjustment analog output
36	AVREF	-	5V
37	BUS_SI	I	J-BUS data input
38	BUS_SO	O	J-BUS data output
39	BUS_SCK	I/O	J-BUS clock input and output
40	NC	-	Not use

Pin No	Symbol	I/O	Function
41	LCD_DA	O	Data output to LCD driver
42	LCD_SCK	O	Clock output to LCD driver
43	LCD-CE1	O	Chip enable output 1 to LCD driver
44	BUZZER	O	Buzzer output
45	12C_DAI	I	12C communication data input
46	12C_DAO	O	12C communication data output
47	12C-CLK	O	12C communication clock output
48	BUS-I/O	O	J-BUSI/O signal terminal
49	TMO	O	Tray motor negative signal output terminal
50	TM1	O	Tray motor positive signal output terminal
51	DMO	O	Motor control signal output in door down
52	DM1	O	Motor control signal output in door up
53	ST	I	Stereo signal input L: Stereo
54	NC	-	Not use
55	AFCK	O	AF check output AF check:L
56	C_SW1	I	Chameleon machanical switch 1 detection signal input
57	C_SW2	I	Chameleon machanical switch 2 detection signal input
58	C_SW3	I	Chameleon machanical switch 3 detection signal input
59	C_SW4	I	Chameleon machanical switch 4 detection signal input
60	C_SW5	I	Chameleon machanical switch 5 detection signal input
61	VOL1	I	Rotary volume signal 1 input
62	VOL2	I	Rotary volume signal 2 input
63	SEEK/STP	O	Auto seek/stop selection output SEEK:L STOP:H
64	NC	-	Not use
65	FM/AM	-	FM/AM selection output FM:H AM:L
66	PLL_CE	O	IC control CE output
67	PLL_DO	O	IC control data output
68	PLL_CLK	O	IC control clock output
69	PLL_DI	I	IC control data input
70	TEL_MUTE	I	Telephone mute detection input
71	NC	-	Not use
72	VSS	-	GND
73	DIM_IN	I	Dimmer detection input L:dimmer ON
74	PS1	I	Power save 1 Operating together with ACC.Power save :L Operating :H
75	POWER	O	Power ON/OFF selection output Power ON:H
76	CD_ON	O	CD power supply control signal output CD:H
77	MUTE	O	Mute output MUTEON:L
78	CD_RESET	O	Subwoofer cut off frequency control output 1
79	CD_MUTE	O	Subwoofer cut off frequency control output 2
80	NC	-	Not use
81	VDD	-	5V
82	VOL_DA	O	data output terminal
83	VOL_CLK	O	clock signal output terminal
84	CF-SEL	O	FM band filter selection signal output
85	NC	O	Not use
86	LCD_RST	O	Reset signal output to LCD driver
87~93	NC	-	Not use
94	TEST	-	GND
95~100	NC	-	Not use

4.19 UPD784225GK-629 (IC1501) : CPU

- Pin layout



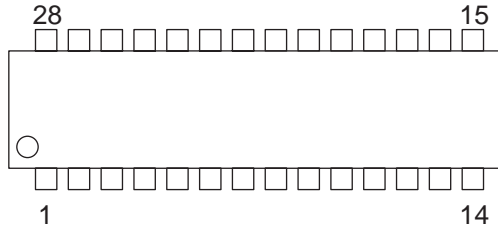
- Pin function

Pin No.	Symbol	I/O	Function
1	TEMP IN	I	Temp. detection input terminal
2,3	-	-	No use
4	AVSS	-	GND
5	ADCONT	O	Output H level during power on. During stop mode:L
6	-	-	-
7	AVREF1	-	3.3V
8	EPROMDI	I	EEPROM data input terminal
9	EPROMDO	O	EEPROM data output terminal. Output H level during input
10	EPROMCK	I/O	EEPROM clock signal input/output terminal
11	LCD CE	O	Chip enable output for LCD driver
12	LCD DA	O	Data output for LCD driver
13	LCD CK	O	Clock output for LCD driver
14	BUS I/O	O	JVC BUS input/output control terminal (negative)
15	BUS I/O	O	JVC BUS input/output control terminal
16	BUS SI	I	JVC BUS data input terminal
17	BUS SO	O	JVC BUS data output terminal
18	BUS SCK	I/O	JVC BUS clock input/output terminal
19	BUSOUT	O	JVC BUS BUSOUT output terminal
20	CD ON	O	Power supply (3.3V) control for CD
21	CD REQ	O	CD mechanism power supply on request signal output terminal
22	CD MUTE	O	CD mute signal output terminal
23	-	-	-
24	DSP RESET	O	CD DSP reset signal output terminal
25	CCE	O	CD DSP chip enable output terminal
26	BUCK	O	CD DSP data clock output terminal
27	BUS3	I/O	CD DSP data 3 input/output terminal
28	BUS2	I/O	CD DSP data 2 input/output terminal
29	BUS1	I/O	CD DSP data 1 input/output terminal
30	BUS0	I/O	CD DSP data 0 input/output terminal
31	2X PLAY	O	RF frequency response select output of 2x speed playback
32	RW SEL	O	CD-RW select output terminal (RW:L)
33	VSS1	-	GND
34	LD	O	Loading signal output terminal (L:loading, H:eject)
35	LD/FE	O	Loading/Feed select signal output terminal (H:LD, L:FE)
36	MP3 DI	I	CD MP3 data input terminal
37	MP3 DO	O	CD MP3 data output terminal
38	MP3 CK	O	Clock signal output terminal for CD MP3 data

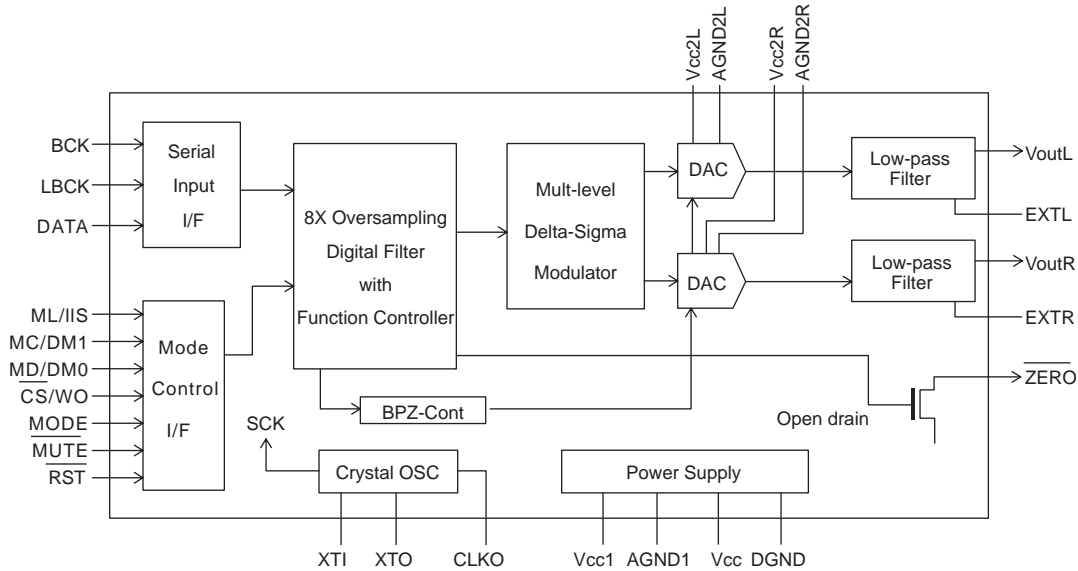
Pin No.	Symbol	I/O	Function
39	MP3 RESET	O	CD MP3 reset signal output terminal
40	MP3 STB	O	CD MP3 standby signal output terminal (H:Standby)
41~43	-	-	-
44	DAC ML	O	DAC mode control latch output terminal
45	DAC MC	O	DAC mode control BCK output terminal
46	DAC MD	O	DAC mode control data output terminal
47	DAC CS	O	DAC chip select output terminal
48~51	-	-	No use
52	DISC SEL	I	8cm disc correspondence mode select terminal (correspondence:L)
53	DAC SEL	I	DAC select mode input terminal
54	-	-	-
55	TEST MODE	I	LCD/AD key/Remocon invalid select mode input terminal L:invalid
56	MP3 SEL	I	MP3 select mode input terminal
57	8V DET	I	CD mechanism power supply detection terminal (L:8V on)
58	REST	I	CD mechanism rest switch input terminal
59	SW2	I	CD mechanism SW2 input terminal
60	RESET	I	Reset signal input terminal
61	SW1	I	CD mechanism SW1 input terminal
62	B.DET	I	Backup power supply detection input terminal (H:Stop mode)
63	P.DET	I	Main power off detection input terminal (H:HALT mode)
64	BUS INT	I	JVC BUS communication start interrupt input terminal
65	MP3 REQ	I	CD MP3 request signal input terminal
66	-	-	-
67	VSS0	-	GND
68	VDD1	-	3.3V
69	X2	O	Oscillator (6MHz)
70	X1	I	Oscillator (6MHz)
71	VPP	-	GND
72	XT2	O	Open
73	XT1	I	GND
74	VDD0	-	3.3V
75	AVDD	-	Connect to ADCONT (Power supply for A/D convertor)
76	IOP	I	Pickup IOP measurement input terminal
77	KEY0	I	Key input 0 (8bit A/D input) terminal
78	KEY1	I	Key input 1 (8bit A/D input) terminal
79	KEY2	I	Key input 2 (8bit A/D input) terminal
80	KET3	I	Key input 3 (8bit A/D input) terminal

4.20 PCM1716E-X (IC1571) : D/A converter

- Pin layout



- Block diagram

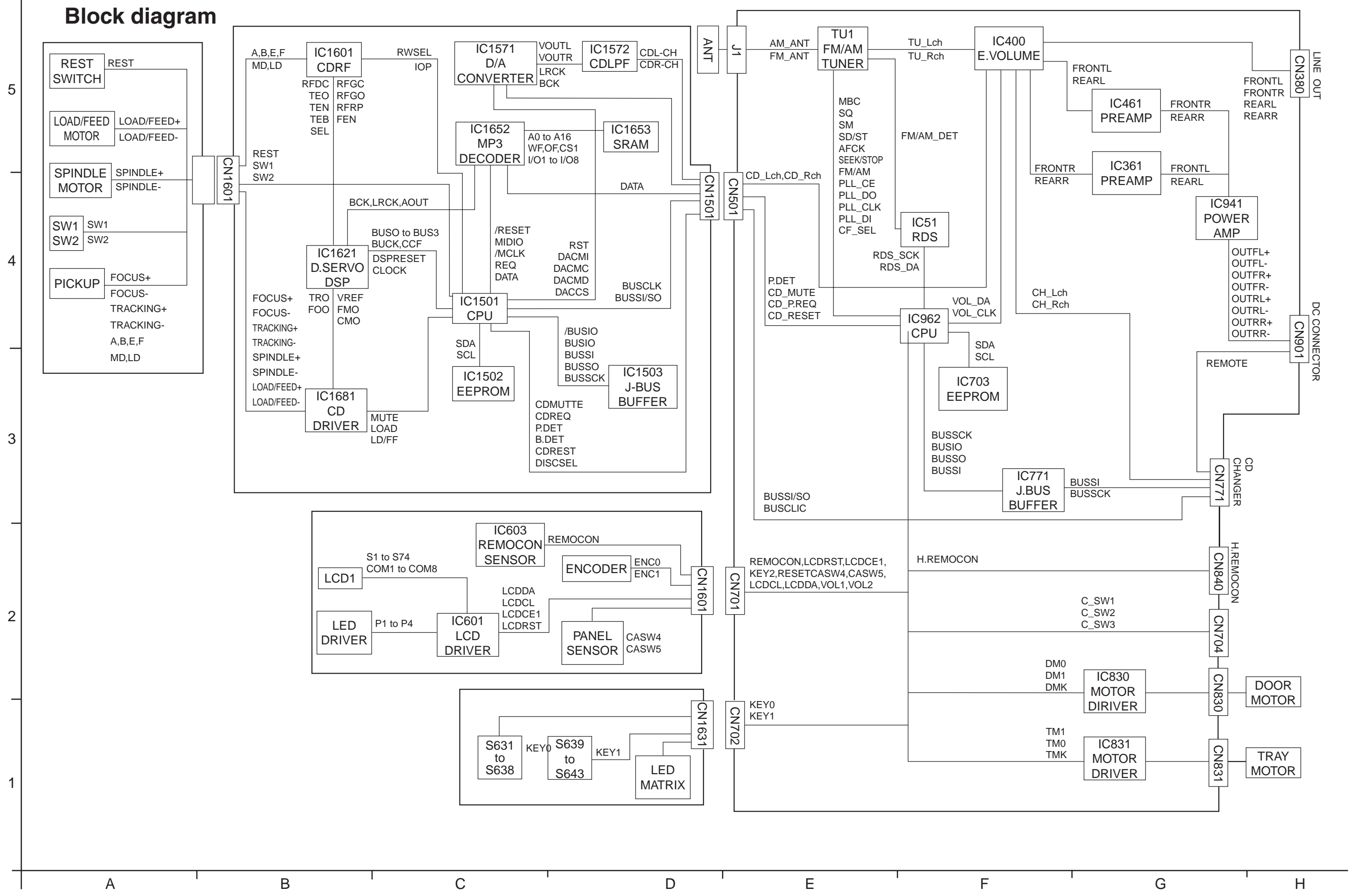


- Pin function

Pin No.	Symbol	I/O	Function
1	LRCK	I	LRCK clock input
2	DATA	I	Serial audio data input
3	BCK	I	Bit clock input for serial audio data
4	CLKO	O	Buffered output of system clock
5	XTI	I	Oscillator input / External clock input
6	XTO	O	Oscillator output
7	DGND	-	Digital ground
8	VDD	-	Digital power +5V
9	VDD2R	-	Analog power +5V
10	AGND2R	-	Analog ground
11	EXTR	O	Rch common pin of analog output amp
12	NC	-	Non connection
13	VOUTR	O	Rch analog voltage output of audio signal
14	AGND1	-	Analog ground
15	Vcc1	-	Analog power +5V

Pin No.	Symbol	I/O	Function
16	VOUTL	O	Lch analog voltage output of audio signal
17	NC	-	Non connection
18	EXTL	O	Lch common pin of analog output amp
19	AGND2L	-	Analog ground
20	Vcc2L	-	Analog power +5V
21	ZERO	O	Zero data flag
22	RST	I	Reset
23	CS/IWO	I	Chip select / Input format selection
24	MODE	I	Mode control select
25	MUTE	I	Mute control
26	MD/DM0	I	Mode control, Data / De-emphasis selection 1
27	MC/DM1	I	Mode control, BCK / De-emphasis selection 2
28	ML/IIS	I	Mode control, WDCK / Input format selection

Block diagram



Standard schematic diagrams

■ Main amp section

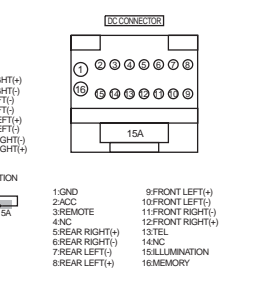
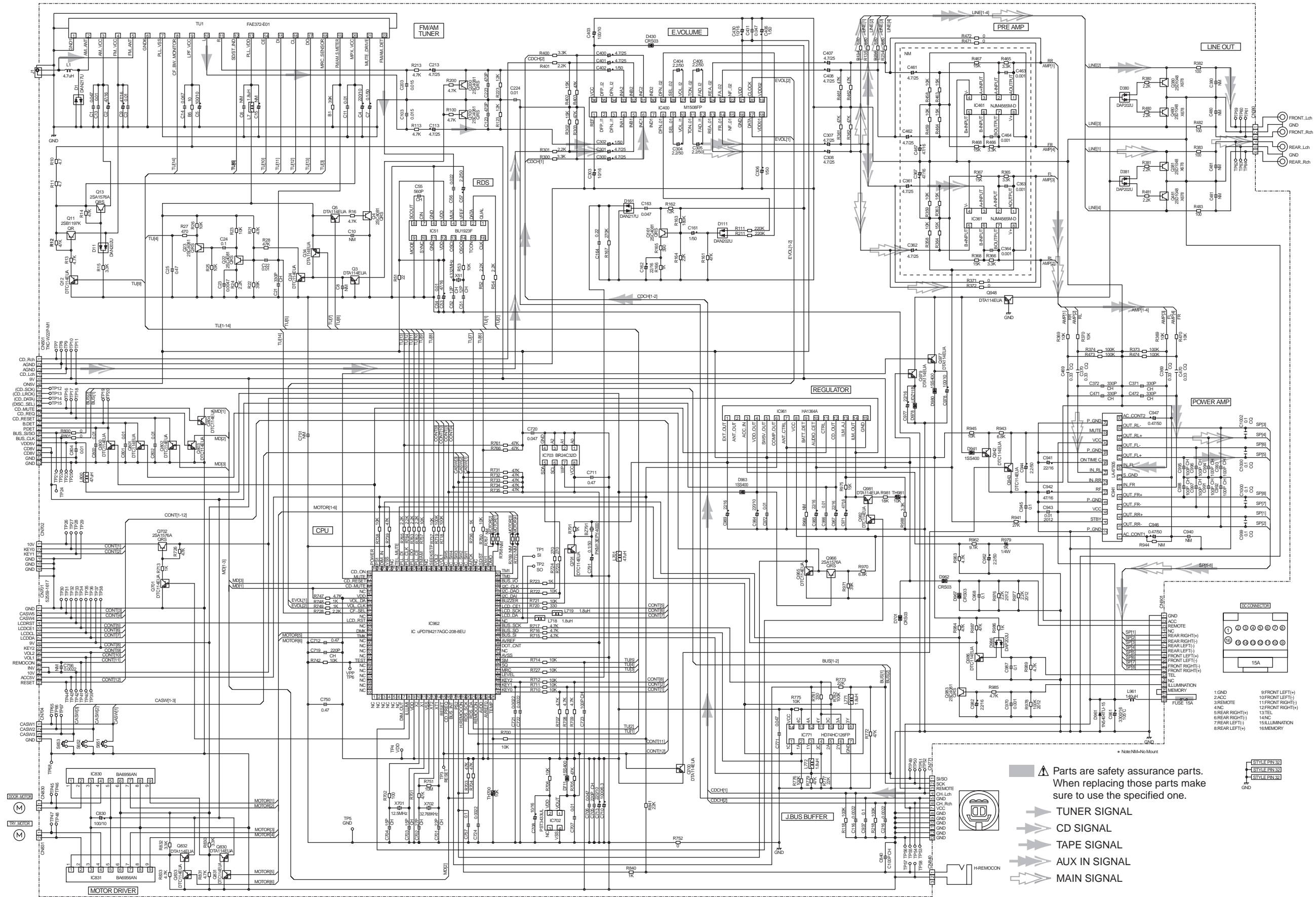
5

4

3

2

1



- ▲ Parts are safety assurance parts. When replacing those parts make sure to use the specified one.
- ➔ TUNER SIGNAL
- ➔ CD SIGNAL
- ➔ TAPE SIGNAL
- ➔ AUX IN SIGNAL
- ➔ MAIN SIGNAL



- 1 GND
- 2 ACC
- 3 REMOTE
- 4 NC
- 5 REAR RIGHT(+)
- 6 REAR RIGHT(-)
- 7 REAR LEFT(+)
- 8 REAR LEFT(-)
- 9 FRONT LEFT(+)
- 10 FRONT LEFT(-)
- 11 FRONT RIGHT(+)
- 12 FRONT RIGHT(-)
- 13 TEL
- 14 NC
- 15 ILLUMINATION
- 16 MEMORY



CD servo control section

5

4

3

2

1

A

B

C

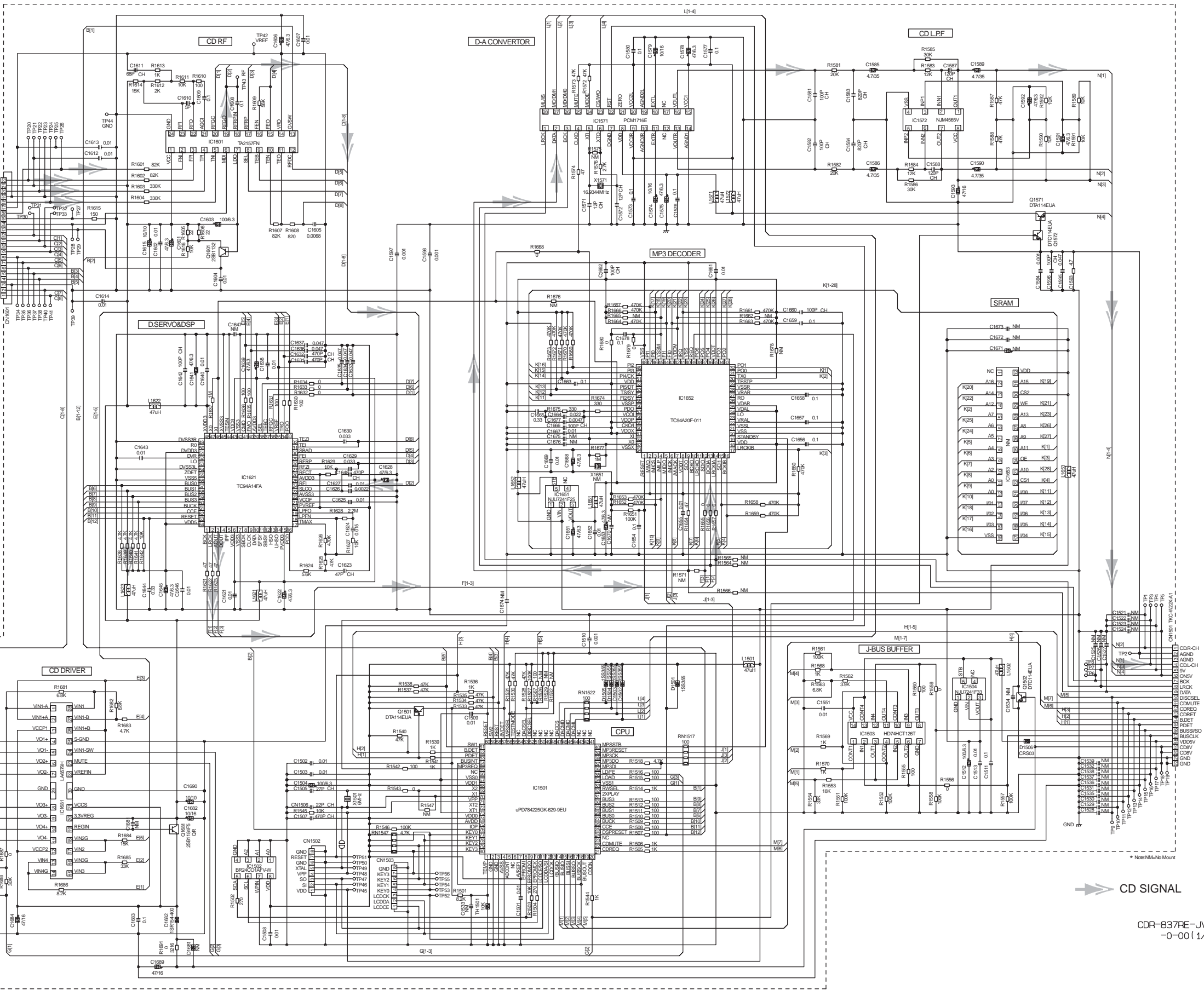
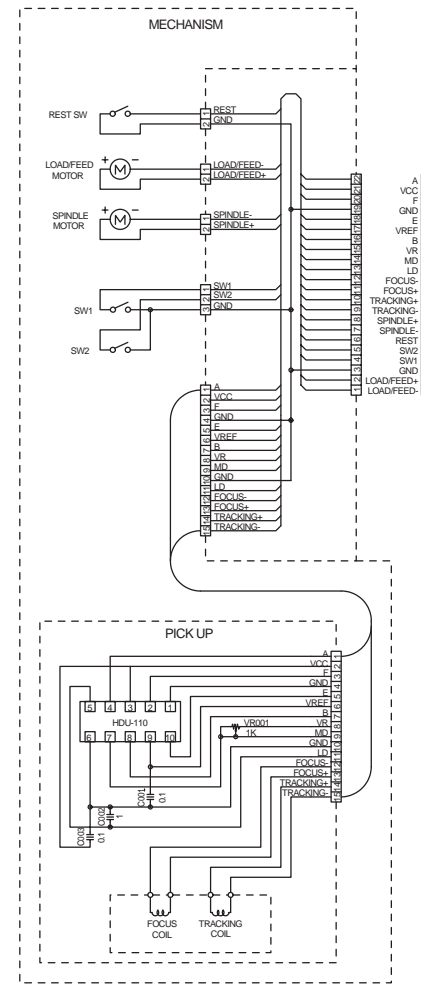
D

E

F

G

H



CD SIGNAL

CDR-837RE-JV-C
-0-00(1/1)

■ LCD & Key control section

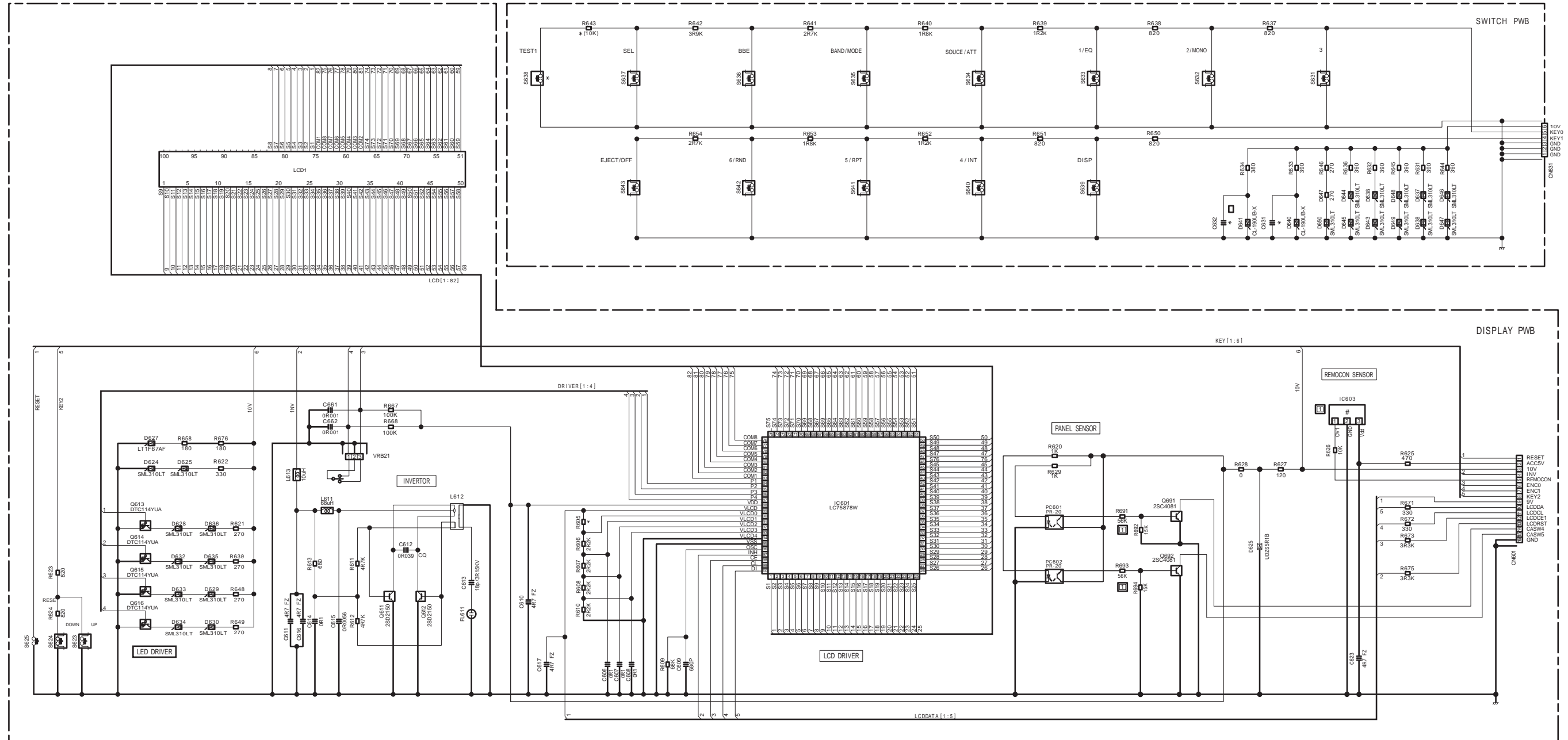
5

4

3

2

1



Notes
 * parts are not mounting.
 # parts are refer to mounting list.

Electrical parts list

Main board

Block No. [0][1][0][0]

Symbol No.	Part No.	Part Name	Description	Local
IC51	000874740-T	IC	BU1923F	
IC400	000974840-T	IC	M61508FP	
IC702	000974280-T	IC	PST3433ML	
IC703	000874700-T	IC	BR24C32F	
IC771	000774040-T	IC	HD74HC126FP	
IC830	000974870	IC	BA6956AN	
IC831	000974870	IC	BA6956AN	
IC941	001074260	IC	LA47505	
IC961	000874970	IC	HA13164A	
IC962	1074410	IC	UPD784217AGC20 8	
Q3	TRA114EUL-A	DIGI TRANSISTOR	DTA114EUA-x	
Q4	TRC4081(QRS)L	TRANSISTOR	2SC4081(Q R S)	
Q5	TRA114EUL-A	DIGI TRANSISTOR	DTA114EUA-x	
Q11	TRB1197(QR)L	TRANSISTOR	2SB1197K(Q R)	
Q12	TRC114EUL-A	DIGI TRANSISTOR	DTC114EUA-x	
Q13	TRA1576(QRS)L-A	TRANSISTOR	2SA1576A(Q R S)	
Q22	TRC4081(QRS)L	TRANSISTOR	2SC4081(Q R S)	
Q23	TRC4081(QRS)L	TRANSISTOR	2SC4081(Q R S)	
Q24	TRC114EUL-A	DIGI TRANSISTOR	DTC114EUA-x	
Q34	TRA114EUL-A	DIGI TRANSISTOR	DTA114EUA-x	
Q100	TRC4081(QRS)L	TRANSISTOR	2SC4081(Q R S)	
Q161	TRC4081(QRS)L	TRANSISTOR	2SC4081(Q R S)	
Q200	TRC4081(QRS)L	TRANSISTOR	2SC4081(Q R S)	
Q380	TRD1048(678)L	TRANSISTOR	2SD1048/6-7/-x	
Q381	TRD1048(678)L	TRANSISTOR	2SD1048/6-7/-x	
Q480	TRD1048(678)L	TRANSISTOR	2SD1048/6-7/-x	
Q481	TRD1048(678)L	TRANSISTOR	2SD1048/6-7/-x	
Q700	TRA114EUL-A	DIGI TRANSISTOR	DTA114EUA-x	
Q701	TRC114EUL-A	DIGI TRANSISTOR	DTC114EUA-x	
Q702	TRA1576(QRS)L-A	TRANSISTOR	2SA1576A(Q R S)	
Q791	TRC114EUL-A	DIGI TRANSISTOR	DTC114EUA-x	
Q800	TRC114EUL-A	DIGI TRANSISTOR	DTC114EUA-x	
Q801	TRC114EUL-A	DIGI TRANSISTOR	DTC114EUA-x	
Q802	TRC114EUL-A	DIGI TRANSISTOR	DTC114EUA-x	
Q803	TRC114EUL-A	DIGI TRANSISTOR	DTC114EUA-x	
Q804	TRC114EUL-A	DIGI TRANSISTOR	DTC114EUA-x	
Q830	TRA114EUL-A	DIGI TRANSISTOR	DTA114EUA-x	
Q831	TRC114EUL-A	DIGI TRANSISTOR	DTC114EUA-x	
Q832	TRA114EUL-A	DIGI TRANSISTOR	DTA114EUA-x	
Q833	TRC114EUL-A	DIGI TRANSISTOR	DTC114EUA-x	
Q942	TRC114EUL-A	DIGI TRANSISTOR	DTC114EUA-x	
Q943	TRC114EUL-A	DIGI TRANSISTOR	DTC114EUA-x	
Q948	TRA114EUL-A	DIGI TRANSISTOR	DTA114EUA-x	
Q965	TRC114EUL-A	DIGI TRANSISTOR	DTC114EUA-x	
Q966	TRA114EUL-A	DIGI TRANSISTOR	DTA114EUA-x	
Q977	TRA114EUL-A	DIGI TRANSISTOR	DTA114EUA-x	
Q979	TRA114EUL-A	DIGI TRANSISTOR	DTA114EUA-x	
Q981	TRA114EUL-A	DIGI TRANSISTOR	DTA114EUA-x	
Q982	TRC114EUL-A	DIGI TRANSISTOR	DTC114EUA-x	
Q983	TRC4081(QRS)L	TRANSISTOR	2SC4081(Q R S)	
Q986	TRC114EUL-A	DIGI TRANSISTOR	DTC114EUA-x	
D1	DIAN217UL	DIODE ARRAY	DAN217U-x	
D11	DIAN202UL	DIODE ARRAY	DAN202U-x	
D111	DIAN202UL	DIODE ARRAY	DAN202U-x	
D161	DIAN217UL	DIODE ARRAY	DAN217U-x	
D380	DIAP202UL	DIODE ARRAY	DAP202U-x	
D381	DIAP202UL	DIODE ARRAY	DAP202U-x	
D430	DI0CRS03L	SI DIODE	CRS03	
D701	DI0CRS03L	SI DIODE	CRS03	
D711	DI1SS400L	SI DIODE	1SS400	
D941	DI1SS400L	SI DIODE	1SS400	
D961	372050	Z DIODE	1N5404TU-15	
D962	DI0CRS03L	SI DIODE	CRS03-x	
D963	DI1SS400L	SI DIODE	1SS400-x	
D967	DI0CRS03L	SI DIODE	CRS03-x	
D978	Z0UDZ11BL	Z DIODE	MDZ11B	
D980	DI1SS400L	SI DIODE	1SS400-x	
D986	DIAP202UL	DIODE ARRAY	DAP202U-x	

Symbol No.	Part No.	Part Name	Description	Local
C1	CY473623J	C CAPACITOR	0.047MF	
C2	CE4763468	E CAPACITOR	47MF/16V	
C3	CY103623J	C CAPACITOR	0.01MF	
C4	CE2271468	E CAPACITOR	220MF/10V	
C5	CE1071468	E CAPACITOR	100MF/10V	
C7	CE1046468	E CAPACITOR	0.1MF/50V	
C9	CE4763468	E CAPACITOR	47MF/16V	
C11	CY103623J	C CAPACITOR	0.01MF	
C13	CY103623J	C CAPACITOR	0.01MF	
C14	CY473623J	C CAPACITOR	0.047MF	
C21	CZ3316D2J	C CAPACITOR	330PF	
C22	CY103623J	C CAPACITOR	0.01MF	
C23	CY472623J	C CAPACITOR	0.0047MF	
C24	CY104623J	C CAPACITOR	0.1MF	
C25	CY474122J	C CAPACITOR	0.47MF	
C51	CZ1206D2J	C CAPACITOR	12PF	
C52	CZ1206D2J	C CAPACITOR	12PF	
C53	CE4763468	E CAPACITOR	47MF/16V	
C54	CY103623J	C CAPACITOR	0.01MF	
C55	CZ5616D2J	C CAPACITOR	560PF	
C56	CY223623J	C CAPACITOR	0.022 MF	
C57	CE2256468	E CAPACITOR	2.2MF/50V	
C103	CY153623J	C CAPACITOR	0.015 MF	
C113	CE4754468	E CAPACITOR	4.7MF/25V	
C116	CY222623J	C CAPACITOR	0.0022MF	
C123	CZ4716D2J	C CAPACITOR	470PF	
C161	CE1056468	E CAPACITOR	1MF/50V	
C162	CE2263468	E CAPACITOR	22MF/16V	
C163	CY473623J	C CAPACITOR	0.047MF	
C164	CY224323J	C CAPACITOR	0.22MF	
C203	CY153623J	C CAPACITOR	0.015 MF	
C213	CE4754468	E CAPACITOR	4.7MF/25V	
C216	CY222623J	C CAPACITOR	0.0022MF	
C223	CZ4716D2J	C CAPACITOR	470PF	
C224	CY103623J	C CAPACITOR	0.01MF	
C300	CE4754468	E CAPACITOR	4.7MF/25V	
C301	CE4754468	E CAPACITOR	4.7MF/25V	
C302	CE1056468	E CAPACITOR	1MF/50V	
C303	CE1063468	E CAPACITOR	10MF/16V	
C304	CE2256468	E CAPACITOR	2.2MF/50V	
C305	CE2256468	E CAPACITOR	2.2MF/50V	
C306	CE1056468	E CAPACITOR	1MF/50V	
C307	CE4754468	E CAPACITOR	4.7MF/25V	
C308	CE4754468	E CAPACITOR	4.7MF/25V	
C369	CQ3346327	CAPACITOR	0.33MF	
C370	CQ3346327	CAPACITOR	0.33MF	
C371	CZ3316D2J	C CAPACITOR	330PF	
C372	CZ3316D2J	C CAPACITOR	330PF	
C400	CE4754468	E CAPACITOR	4.7MF/25V	
C401	CE4754468	E CAPACITOR	4.7MF/25V	
C402	CE1056468	E CAPACITOR	1MF/50V	
C403	CE1071468	E CAPACITOR	100MF/10V	
C404	CE2256468	E CAPACITOR	2.2MF/50V	
C405	CE2256468	E CAPACITOR	2.2MF/50V	
C406	CE1056468	E CAPACITOR	1MF/50V	
C407	CE4754468	E CAPACITOR	4.7MF/25V	
C408	CE4754468	E CAPACITOR	4.7MF/25V	
C430	CE1063468	E CAPACITOR	10MF/16V	
C431	CY473623J	C CAPACITOR	0.047MF	
C469	CQ3346327	CAPACITOR	0.33MF	
C470	CQ3346327	CAPACITOR	0.33MF	
C471	CZ3316D2J	C CAPACITOR	330PF	
C472	CZ3316D2J	C CAPACITOR	330PF	
C701	CZ2206D2J	C CAPACITOR	22PF	
C702	CZ2706D2J	C CAPACITOR	27PF	
C703	CZ1506D2J	C CAPACITOR	15PF	
C704	CZ1506D2J	C CAPACITOR	15PF	
C705	CZ2216D2J	C CAPACITOR	220PF	
C706	CY473623J	C CAPACITOR	0.047MF	
C707	CY103623J	C CAPACITOR	0.01MF	
C708	CE1063468	E CAPACITOR	10MF/16V	
C710	CE1080517	E CAPACITOR	1000MF/6.3V	
C711	CY474122J	C CAPACITOR	0.47MF	
C712	CY474122J	C CAPACITOR	0.047MF	

Symbol No.	Part No.	Part Name	Description	Local	Symbol No.	Part No.	Part Name	Description	Local
C713	CE2271468	E CAPACITOR	220MF/10V		R118	RK104JA0J	C RESISTOR	1/10W 100K	
C719	CZ2216D2J	C CAPACITOR	220PF		R123	RK123JA0J	C RESISTOR	1/10W 12K	
C720	CY473623J	C CAPACITOR	0.047MF		R134	RK681JA0J	C RESISTOR	1/10W 680	
C721	CY222623J	C CAPACITOR	0.0022MF		R135	RK681JA0J	C RESISTOR	1/10W 680	
C722	CY222623J	C CAPACITOR	0.0022MF		R161	RK473JA0J	C RESISTOR	1/10W 47K	
C723	CZ1016D2J	C CAPACITOR	100PF		R162	RK123JA0J	C RESISTOR	1/10W 12K	
C724	CY222623J	C CAPACITOR	0.0022MF		R163	RK184JA0J	C RESISTOR	1/10W 180K	
C750	CY474122J	C CAPACITOR	0.47MF		R164	RK223JA0J	C RESISTOR	1/10W 22K	
C757	CY104623J	C CAPACITOR	0.1MF		R165	RK391JA0J	C RESISTOR	1/10W 390	
C771	CY473623J	C CAPACITOR	0.047MF		R166	RK102JA0J	C RESISTOR	1/10W 1K	
C791	CE1046468	E CAPACITOR	0.1MF/50V		R167	RK274JA0J	COMP.RESISTOR	1/10W 270K	
C800	CY103623J	C CAPACITOR	0.01MF		R200	RK472JA0J	C RESISTOR	1/10W 4.7K	
C801	CY103623J	C CAPACITOR	0.01MF		R211	RK224JA0J	C RESISTOR	1/10W 220K	
C802	CY103623J	C CAPACITOR	0.01MF		R213	RK472JA0J	C RESISTOR	1/10W 4.7K	
C804	CY103623J	C CAPACITOR	0.01MF		R218	RK104JA0J	C RESISTOR	1/10W 100K	
C830	CE1071468	E CAPACITOR	100MF/10V		R223	RK123JA0J	C RESISTOR	1/10W 12K	
C840	CZ1016D2J	C CAPACITOR	100PF		R234	RK681JA0J	C RESISTOR	1/10W 680	
C937	CY104623J	C CAPACITOR	0.1MF		R235	RK681JA0J	C RESISTOR	1/10W 680	
C941	CE2263468	E CAPACITOR	22MF/16V		R300	RK332JA0J	C RESISTOR	1/10W 3.3K	
C942	CE4763468	E CAPACITOR	47MF/16V		R301	RK222JA0J	C RESISTOR	1/10W 2.2K	
C943	CY103603J	C CAPACITOR	0.01MF		R302	RK153JA0J	C RESISTOR	1/10W 15K	
C944	CE2256468	E CAPACITOR	2.2MF/50V		R303	RK473JA0J	C RESISTOR	1/10W 47K	
C945	CY104623J	C CAPACITOR	0.1MF		R361	RK473JA0J	C RESISTOR	1/10W 47K	
C946	CE4746468	E CAPACITOR	0.47MF/50V		R362	RK473JA0J	C RESISTOR	1/10W 47K	
C947	CE4746468	E CAPACITOR	0.47MF/50V		R369	RK103JA0J	C RESISTOR	1/10W 10K	
C961	CE3383541	E CAPACITOR	3300MF/16V		R370	RK103JA0J	C RESISTOR	1/10W 10K	
C962	CE2256468	E CAPACITOR	2.2MF/50V		R371	RK000JA0J	C RESISTOR	1/10W 0	
C964	CE2271468	E CAPACITOR	220MF/10V		R372	RK000JA0J	C RESISTOR	1/10W 0	
C965	CE2263468	E CAPACITOR	22MF/16V		R373	RK104JA0J	C RESISTOR	1/10W 100K	
C966	CY103623J	C CAPACITOR	0.01MF		R374	RK104JA0J	C RESISTOR	1/10W 100K	
C967	CE2263468	E CAPACITOR	22MF/16V		R380	RK222JA0J	C RESISTOR	1/10W 2.2K	
C968	CY104623J	C CAPACITOR	0.1MF		R381	RK222JA0J	C RESISTOR	1/10W 2.2K	
C969	CE2263468	E CAPACITOR	22MF/16V		R382	RK101JA0J	C RESISTOR	1/10W 100	
C970	CY102623J	C CAPACITOR	0.001 MF		R383	RK101JA0J	C RESISTOR	1/10W 100	
C971	CE4763468	E CAPACITOR	47MF/16V		R400	RK332JA0J	C RESISTOR	1/10W 3.3K	
C972	CY103623J	C CAPACITOR	0.01MF		R401	RK222JA0J	C RESISTOR	1/10W 2.2K	
C977	CE2263468	E CAPACITOR	22MF/16V		R402	RK153JA0J	C RESISTOR	1/10W 15K	
C978	CE1071468	E CAPACITOR	100MF/10V		R403	RK473JA0J	C RESISTOR	1/10W 47K	
C982	CE2263468	E CAPACITOR	22MF/16V		R461	RK473JA0J	C RESISTOR	1/10W 47K	
C987	CY104623J	C CAPACITOR	0.1MF		R462	RK473JA0J	C RESISTOR	1/10W 47K	
C991	CZ1016D2J	C CAPACITOR	100PF		R469	RK103JA0J	C RESISTOR	1/10W 10K	
C992	CZ1016D2J	C CAPACITOR	100PF		R470	RK103JA0J	C RESISTOR	1/10W 10K	
C993	CZ1016D2J	C CAPACITOR	100PF		R471	RK000JA0J	C RESISTOR	1/10W 0	
C994	CZ1016D2J	C CAPACITOR	100PF		R472	RK000JA0J	C RESISTOR	1/10W 0	
C995	CZ1016D2J	C CAPACITOR	100PF		R473	RK104JA0J	C RESISTOR	1/10W 100K	
C996	CZ1016D2J	C CAPACITOR	100PF		R474	RK104JA0J	C RESISTOR	1/10W 100K	
C997	CZ1016D2J	C CAPACITOR	100PF		R480	RK222JA0J	C RESISTOR	1/10W 2.2K	
C998	CZ1016D2J	C CAPACITOR	100PF		R481	RK222JA0J	C RESISTOR	1/10W 2.2K	
C999	CQ1046327	CAPACITOR	0.10MF		R482	RK101JA0J	C RESISTOR	1/10W 100	
C1000	CQ1046327	CAPACITOR	0.10MF		R483	RK101JA0J	C RESISTOR	1/10W 100	
C1001	CQ1046327	CAPACITOR	0.10MF		R700	RK103JA0J	C RESISTOR	1/10W 10K	
C1002	CQ1046327	CAPACITOR	0.10MF		R701	RK473JA0J	C RESISTOR	1/10W 47K	
R1	RK393JA0J	C RESISTOR	1/10W 39K		R702	RK101JA0J	C RESISTOR	1/10W 100	
R5	RK100JA0J	C RESISTOR	1/10W 10		R703	RK473JA0J	C RESISTOR	1/10W 47K	
R10	RK4R7JA0J	C RESISTOR	1/10W 4.7		R704	RK473JA0J	C RESISTOR	1/10W 47K	
R11	RK4R7JA0J	C RESISTOR	1/10W 4.7		R705	RK473JA0J	C RESISTOR	1/10W 47K	
R12	RK473JA0J	C RESISTOR	1/10W 47K		R706	RK103JA0J	C RESISTOR	1/10W 10K	
R13	RK472JA0J	C RESISTOR	1/10W 4.7K		R707	RK472JA0J	C RESISTOR	1/10W 4.7K	
R14	RK473JA0J	C RESISTOR	1/10W 47K		R708	RK472JA0J	C RESISTOR	1/10W 4.7K	
R15	RK332JA0J	C RESISTOR	1/10W 3.3K		R709	RK472JA0J	C RESISTOR	1/10W 4.7K	
R16	RK472JA0J	C RESISTOR	1/10W 4.7K		R710	RK103JA0J	C RESISTOR	1/10W 10K	
R21	RK473JA0J	C RESISTOR	1/10W 47K		R711	RK103JA0J	C RESISTOR	1/10W 10K	
R22	RK393JA0J	C RESISTOR	1/10W 39K		R712	RK103JA0J	C RESISTOR	1/10W 10K	
R23	RK103JA0J	C RESISTOR	1/10W 10K		R713	RK102JA0J	C RESISTOR	1/10W 1K	
R24	RK222JA0J	C RESISTOR	1/10W 2.2K		R714	RK103JA0J	C RESISTOR	1/10W 10K	
R25	RK103JA0J	C RESISTOR	1/10W 10K		R715	RK472JA0J	C RESISTOR	1/10W 4.7K	
R26	RK103JA0J	C RESISTOR	1/10W 10K		R716	RK472JA0J	C RESISTOR	1/10W 4.7K	
R27	RK471JA0J	C RESISTOR	1/10W 470		R717	RK472JA0J	C RESISTOR	1/10W 4.7K	
R28	RK473JA0J	C RESISTOR	1/10W 47K		R718	RK104JA0J	C RESISTOR	1/10W 100K	
R51	RK220JA0J	C RESISTOR	1/10W 22		R719	RK104JA0J	C RESISTOR	1/10W 100K	
R52	RK222JA0J	C RESISTOR	1/10W 2.2K		R720	RK331JA0J	C RESISTOR	1/10W 330	
R53	RK103JA0J	C RESISTOR	1/10W 10K		R721	RK103JA0J	C RESISTOR	1/10W 10K	
R54	RK222JA0J	C RESISTOR	1/10W 2.2K		R722	RK103JA0J	C RESISTOR	1/10W 10K	
R100	RK472JA0J	C RESISTOR	1/10W 4.7K		R723	RK102JA0J	C RESISTOR	1/10W 1K	
R111	RK224JA0J	C RESISTOR	1/10W 220K		R724	RK271JA0J	C RESISTOR	1/10W 270	
R113	RK472JA0J	C RESISTOR	1/10W 4.7K		R725	RK271JA0J	C RESISTOR	1/10W 270	
					R726	RK473JA0J	C RESISTOR	1/10W 47K	

Symbol No.	Part No.	Part Name	Description	Local
R727	RK103JA0J	C RESISTOR	1/10W 10K	
R728	RK222JA0J	C RESISTOR	1/10W 2.2K	
R731	RK473JA0J	C RESISTOR	1/10W 47K	
R732	RK473JA0J	C RESISTOR	1/10W 47K	
R733	RK473JA0J	C RESISTOR	1/10W 47K	
R734	RK473JA0J	C RESISTOR	1/10W 47K	
R735	RK473JA0J	C RESISTOR	1/10W 47K	
R736	RK102JA0J	C RESISTOR	1/10W 1K	
R737	RK103JA0J	C RESISTOR	1/10W 10K	
R738	RK103JA0J	C RESISTOR	1/10W 10K	
R739	RK473JA0J	C RESISTOR	1/10W 47K	
R742	RK103JA0J	C RESISTOR	1/10W 10K	
R747	RK472JA0J	C RESISTOR	1/10W 4.7K	
R748	RK102JA0J	C RESISTOR	1/10W 1K	
R749	RK102JA0J	C RESISTOR	1/10W 1K	
R751	RK106JA0J	C RESISTOR	1/10W 10M	
R752	RK000JA0J	C RESISTOR	1/10W 0	
R757	RK103JA0J	C RESISTOR	1/10W 10K	
R760	RK103JA0J	C RESISTOR	1/10W 10K	
R761	RK473JA0J	C RESISTOR	1/10W 47K	
R762	RK222JA0J	C RESISTOR	1/10W 2.2K	
R763	RK222JA0J	C RESISTOR	1/10W 2.2K	
R764	RK222JA0J	C RESISTOR	1/10W 2.2K	
R765	RK222JA0J	C RESISTOR	1/10W 2.2K	
R766	RK473JA0J	C RESISTOR	1/10W 47K	
R772	RK473JA0J	C RESISTOR	1/10W 47K	
R773	RK223JA0J	C RESISTOR	1/10W 22K	
R775	RK103JA0J	C RESISTOR	1/10W 10K	
R776	RK104JA0J	C RESISTOR	1/10W 100K	
R777	RK223JA0J	C RESISTOR	1/10W 22K	
R779	RK473JA0J	C RESISTOR	1/10W 47K	
R781	RK331JA0J	C RESISTOR	1/10W 330	
R782	RK104JA0J	C RESISTOR	1/10W 100K	
R791	RK102JA0J	C RESISTOR	1/10W 1K	
R800	RK000JA0J	C RESISTOR	1/10W 0	
R801	RK000JA0J	C RESISTOR	1/10W 0	
R830	RK332JA0J	C RESISTOR	1/10W 3.3K	
R831	RK472JA0J	C RESISTOR	1/10W 4.7K	
R832	RK332JA0J	C RESISTOR	1/10W 3.3K	
R833	RK472JA0J	C RESISTOR	1/10W 4.7K	
R840	RK102JA0J	C RESISTOR	1/10W 1K	
R841	RK223JA0J	C RESISTOR	1/10W 22K	
R941	RK273JA0J	COMP.RESISTOR	1/10W 27K	
R943	RK682JA0J	COMP.RESISTOR	1/10W 6.8 K	
R945	RK103JA0J	C RESISTOR	1/10W 10K	
R962	RK912JA0J	C RESISTOR	1/10W 9.1K	
R963	RK472JA0J	C RESISTOR	1/10W 4.7K	
R970	RK682JA0J	COMP.RESISTOR	1/10W 6.8 K	
R971	RK393JA0J	C RESISTOR	1/10W 39K	
R975	RK153JA0J	C RESISTOR	1/10W 15K	
R976	RK222J41J	C RESISTOR	1/8W 2.2 K	
R977	RK222J41J	C RESISTOR	1/8W 2.2 K	
R978	RK104J41J	COMP.RESISTOR	1/8W 100K	
R979	RD102J3CQ	C RESISTOR	1/4W 1 K	
R981	RK183JA0J	COMP.RESISTOR	1/10W 18K	
R984	RK473JA0J	C RESISTOR	1/10W 47K	
R985	RK472JA0J	C RESISTOR	1/10W 4.7K	
R986	RK102JA0J	C RESISTOR	1/10W 1K	
R987	RK473JA0J	C RESISTOR	1/10W 47K	
R988	RK332JA0J	C RESISTOR	1/10W 3.3K	
R989	RK472JA0J	C RESISTOR	1/10W 4.7K	
L1	LC4R7J257	CHOKE COIL	4.7 MH	
L7	LC1R8K24J	RF COIL	LC 1.8MH	
L701	LC470K36J	CHOKE COIL	47MH	
L718	LC1R8K24J	RF COIL	1.8MH	
L719	LC1R8K24J	RF COIL	LC 1.8MH	
L771	LC1R8K24J	RF COIL	LC 1.8MH	
L772	LC1R8K24J	RF COIL	LC 1.8MH	
L800	LC470K36J	CHOKE COIL	47MH	
L961	125560	CHOKE COIL	TROIDAL	
BZ791	000493080-T	BUZZER	PKM13EPY-4000	
CN380	KN2506398	CONN.TERMINAL	6P BASE POST	
CN501	KZ0532210	CONN.TERMINAL	22P CONNECTOR	
CN701	KZ041160L	CONN.TERMINAL	16P FPC CONNECT	

Symbol No.	Part No.	Part Name	Description	Local
CN702	KZ040060L	CONN.TERMINAL	6P FPC CONNECTO	
CN704	KN530409L	CONN.TERMINAL	4P BASE POST	
CN771	Kx0040800	CONN.TERMINAL	8P BMS CONNECTO	
CN830	KN2502091	CONN.TERMINAL	2P BASE POST	
CN831	KN2502091	CONN.TERMINAL	2P BASE POST	
CN840	KN2503297	CONN.TERMINAL	3P BASE POST	
CN901	Kx0071600	CONN.TERMINAL	16P DC CONNECTO	
J1	Ex0000487	ANTTENA CORD AS	ANTTENA CORD AS	
S651	000392900-T	TACT SWITCH		
S652	000392900-T	TACT SWITCH		
S653	000392900-T	TACT SWITCH		
TH700	TH103J07J	THERMISTOR	TN11-3H103JT	
TH981	TH103J07J	THERMISTOR	TH103J07J	
TU1	153680	TUNER PACK	FAE372-E01	
x51	000171200-T	CRYSTAL	4.332 MHZ	
x701	000171600-T	CRYSTAL	12.5MHZ	
x702	00171610	CRYSTAL	QAx0401-001	
ZZZ1	000193660	STYL PIN	STYL PIN L=	
ZZZ2	000193660	STYL PIN	STYL PIN L=	
ZZZ3	000193660	STYL PIN	STYL PIN L=	
OT1	PTP008501	PWB		

Front board

Block No. [0][2][0][0]

Symbol No.	Part No.	Part Name	Description	Local
IC601	000974290	IC	LC75878W	
IC603	000974180	IC	TSOP4840SB1	
Q611	TRD2150(QRS)L	TRANSISTOR	2SD2152 (Q R S)	
Q612	TRD2150(QRS)L	TRANSISTOR	2SD2152 (Q R S)	
Q613	TRC114YUL-A	DIGI TRANSISTOR	DTC114YUA	
Q614	TRC114YUL-A	DIGI TRANSISTOR	DTC114YUA	
Q615	TRC114YUL-A	DIGI TRANSISTOR	DTC114YUA	
Q616	TRC114YUL-A	DIGI TRANSISTOR	DTC114YUA	
Q691	TRC4081(QRS)L	TRANSISTOR	2SC4081 (Q R S)	
Q692	TRC4081(QRS)L	TRANSISTOR	2SC4081 (Q R S)	
D623	000372400-T	LED	SML-310LTT86	
D624	000372400-T	LED	SML-310LTT86	
D625	ZDZS5R1BL	ZENER DI	MDZS5.1B	
D627	000372390-T	LED	LT1F67AF	
D628	000372400-T	LED	SML-310LTT86	
D629	000372400-T	LED	SML-310LTT86	
D630	000372400-T	LED	SML-310LTT86	
D632	000372400-T	LED	SML-310LTT86	
D633	000372400-T	LED	SML-310LTT86	
D634	000372400-T	LED	SML-310LTT86	
D635	000372400-T	LED	SML-310LTT86	
D636	000372400-T	LED	SML-310LTT86	
D637	000372400-T	LED	SML-310LTT86	
D638	000372400-T	LED	SML-310LTT86	
D639	000372400-T	LED	SML-310LTT86	
D640	000372340-T	LED	CL-190UB-x-T	
D641	000372340-T	LED	CL-190UB-x-T	
D643	000372400-T	LED	SML-310LTT86	
D644	000372400-T	LED	SML-310LTT86	
D645	000372400-T	LED	SML-310LTT86	
D646	000372400-T	LED	SML-310LTT86	
D647	000372400-T	LED	SML-310LTT86	
D648	000372400-T	LED	SML-310LTT86	
D649	000372400-T	LED	SML-310LTT86	
D650	000372400-T	LED	SML-310LTT86	
PC601	001074290-T	IC		
PC602	001074290-T	IC		
C606	CY104423J	C CAPACITOR	0.1MF	

Symbol No.	Part No.	Part Name	Description	Local
C607	CY104423J	C CAPACITOR	0.1MF	
C608	CY104423J	C CAPACITOR	0.1MF	
C609	CZ6816D2J	C CAPACITOR	680 PF	
C610	CY475316J	C CAPACITOR	4.7 MF F Z	
C611	CY475316J	C CAPACITOR	4.7 MF F Z	
C612	CQ393328J	C CAPACITOR	0.039 MF	
C613	CY180J90J	C CAPACITOR	18PF 3.15KV SL	
C614	CY104423J	C CAPACITOR	0.1MF	
C615	CY562623J	C CAPACITOR	0.0056MF	
C616	CY475316J	C CAPACITOR	4.7 MF F Z	
C617	CY475316J	C CAPACITOR	4.7 MF F Z	
C623	CY475316J	C CAPACITOR	4.7 MF F Z	
C661	CY102623J	C CAPACITOR	0.001 MF	
C662	CY102623J	C CAPACITOR	0.001 MF	
R606	RK222JA0J	C RESISTOR	1/10W 2.2 K	
R607	RK222JA0J	C RESISTOR	1/10W 2.2 K	
R608	RK222JA0J	C RESISTOR	1/10W 2.2 K	
R609	RK683JA0J	C RESISTOR	1/10W 68 K	
R610	RK222JA0J	C RESISTOR	1/10W 2.2 K	
R611	RK472JA0J	C RESISTOR	1/10W 4.7 K	
R612	RK472JA0J	C RESISTOR	1/10W 4.7 K	
R613	RK681JA0J	C RESISTOR	1/10W 680	
R620	RK102JA0J	C RESISTOR	1/10W 1 K	
R621	RK271JA0J	C RESISTOR	1/10W 270	
R622	RK331JA0J	C RESISTOR	1/10W 330	
R623	RK821JA0J	C RESISTOR	1/10W 820	
R624	RK821JA0J	C RESISTOR	1/10W 820	
R625	RK471JA0J	C RESISTOR	1/10W 470	
R626	RK103JA0J	C RESISTOR	1/10W 10 K	
R627	RK121JA0J	C RESISTOR	1/10W 120	
R628	RK000JA0J	C RESISTOR	1/10W 0	
R629	RK102JA0J	C RESISTOR	1/10W 1 K	
R630	RK271JA0J	C RESISTOR	1/10W 270	
R631	RK331JA0J	C RESISTOR	1/10W 330	
R632	RK391JA0J	C RESISTOR	1/10W 390	
R633	RK391JA0J	C RESISTOR	1/10W 390	
R634	RK391JA0J	C RESISTOR	1/10W 390	
R636	RK391JA0J	C RESISTOR	1/10W 390	
R637	RK821JA0J	C RESISTOR	1/10W 820	
R638	RK821JA0J	C RESISTOR	1/10W 820	
R639	RK122JA0J	C RESISTOR	1/10W 1.2 K	
R640	RK182JA0J	C RESISTOR	1/10W 1.8 K	
R641	RK272JA0J	C RESISTOR	1/10W 2.7 K	
R642	RK392JA0J	C RESISTOR	1/10W 3.9 K	
R644	RK391JA0J	C RESISTOR	1/10W 390	
R645	RK391JA0J	C RESISTOR	1/10W 390	
R646	RK271JA0J	C RESISTOR	1/10W 270	
R647	RK271JA0J	C RESISTOR	1/10W 270	
R648	RK271JA0J	C RESISTOR	1/10W 270	
R649	RK271JA0J	C RESISTOR	1/10W 270	
R650	RK821JA0J	C RESISTOR	1/10W 820	
R651	RK821JA0J	C RESISTOR	1/10W 820	
R652	RK122JA0J	C RESISTOR	1/10W 1.2 K	
R653	RK182JA0J	C RESISTOR	1/10W 1.8 K	
R654	RK272JA0J	C RESISTOR	1/10W 2.7 K	
R658	RK181JA0J	C RESISTOR	1/10W 180	
R667	RK104JA0J	C RESISTOR	1/10W 100 K	
R668	RK104JA0J	C RESISTOR	1/10W 100 K	
R671	RK331JA0J	C RESISTOR	1/10W 330	
R672	RK331JA0J	C RESISTOR	1/10W 330	
R673	RK332JA0J	C RESISTOR	1/10W 3.3 K	
R675	RK332JA0J	C RESISTOR	1/10W 3.3 K	
R676	RK181JA0J	C RESISTOR	1/10W 180	
R691	RK563JA0J	C RESISTOR	1/10W 56 K	
R692	RK153JA0J	C RESISTOR	1/10W 15 K	
R693	RK563JA0J	C RESISTOR	1/10W 56 K	
R694	RK153JA0J	C RESISTOR	1/10W 15 K	
VR621	000392860	ENCODER		
L611	LC680J26L	CHOKE COIL	68 MH	
L612	000125810-T	COIL	TRANS TR11-B-S	
L613	LC100J10J	CHOKE COIL	10MH	
CN601	KZ040160L	CONN.TERMINAL	16P FPC CONNECT	
CN631	KZ040060L	CONN.TERMINAL	6P FPC CONNECTO	

Symbol No.	Part No.	Part Name	Description	Local
FL611	000282950	CFL		
S623	000392970-T	TACT SW		
S624	000392970-T	TACT SW		
S625	000392980-T	TACT SW		
S631	000392970-T	TACT SW		
S632	000392970-T	TACT SW		
S633	000392970-T	TACT SW		
S634	000392970-T	TACT SW		
S635	000392970-T	TACT SW		
S636	000392970-T	TACT SW		
S637	000392970-T	TACT SW		
S638	000392970-T	TACT SW		
S639	000392970-T	TACT SW		
S640	000392970-T	TACT SW		
S641	000392970-T	TACT SW		
S642	000392970-T	TACT SW		
S643	000392970-T	TACT SW		
OT1	PTP008232	COMBI PWB		

CD board

Block No. [0][3][0][0]

Symbol No.	Part No.	Part Name	Description	Local
IC1500	000974900-T	IC	HD74HCT126T-X	
IC1501	974880	IC	UPD784225GK-629	
IC1502	000974890-T	IC	BR24C01AFV-W-X	
IC1503	000974900-T	IC	HD74HCT126T-X	
IC1504	000974650-T	IC	NJU7241F33	
IC1571	000974910-T	IC	PCM1716E-X	
IC1572	000974920-T	IC	NJM4565V-X	
IC1601	000974930-T	IC	TA2157FN-X	
IC1621	000974940	IC	TC94A14FA	
IC1651	000974640-T	IC	NJU7241F25	
IC1652	974950	IC	TC94A20F-011	
IC1681	000974960-T	IC	LA6579H-X	
Q1501	TRA114EUL-A	DIGI TRANSISTOR	DTA114EUA-X	
Q1502	TRC114EUL-A	DIGI TRANSISTOR	DTC114EUA-X	
Q1571	TRA114EUL-A	DIGI TRANSISTOR	DTA114EUA-X	
Q1572	TRC114EUL-A	DIGI TRANSISTOR	DTC114EUA-X	
Q1601	TRB1132(QR)L	TRANSISTOR	2SB1132(Q R)T	
Q1681	TRB1184(QR)L	TRANSISTOR	2SB1184(QR)-X	
D1501	DI1SS355L	DIODE	1SS355	
D1502	DI1SS355L	DIODE	1SS355	
D1503	DI1SS355L	DIODE	1SS355	
D1504	DI1SS355L	DIODE	1SS355	
D1505	DI1SS355L	DIODE	1SS355	
D1506	DI0CRS03L	SI DIODE	CRS03	
D1682	DI1SR154L	DIODE	1SR154	
C1501	CY103623J	C CAPACITOR	0.01 MF	
C1502	CY103623J	C CAPACITOR	0.01 MF	
C1503	CY103623J	C CAPACITOR	0.01 MF	
C1504	CX107012L	E CAPACITOR	100MF/6.3V	
C1505	CZ2706D2J	C CAPACITOR	27 PF	
C1506	CZ2206D2J	C CAPACITOR	22 PF	
C1507	CZ4716D2J	C CAPACITOR	470PF	
C1508	CY103623J	C CAPACITOR	0.01 MF	
C1509	CY103623J	C CAPACITOR	0.01 MF	
C1510	CY102623J	C CAPACITOR	0.001 MF	
C1511	CY104623J	C CAPACITOR	0.1 MF	
C1512	CX107012L	E CAPACITOR	100MF/6.3V	
C1513	CY103623J	C CAPACITOR	0.01 MF	
C1551	CY103623J	C CAPACITOR	0.01 MF	
C1571	CZ1206D2J	C CAPACITOR	12PF	
C1572	CZ1206D2J	C CAPACITOR	12PF	
C1573	CY104623J	C CAPACITOR	0.1MF	
C1574	CX106312L	E CAPACITOR	10MF/16V	
C1575	CX476012L	E CAPACITOR	47MF/6.3V	
C1576	CY104623J	C CAPACITOR	0.1MF	

△ Symbol No.	Part No.	Part Name	Description	Local	△ Symbol No.	Part No.	Part Name	Description	Local
C1577	CY104623J	C CAPACITOR	0.1 MF		C1664	CY223623J	C CAPACITOR	0.022 MF	
C1578	CX476012L	E CAPACITOR	47MF/6.3V		C1665	CY334122J	C CAPACITOR	0.33MF	
C1579	CX106312L	E CAPACITOR	10MF/16V		C1666	CZ1016D2J	C CAPACITOR	100PF	
C1580	CY104623J	C CAPACITOR	0.1 MF		C1667	CY103623J	C CAPACITOR	0.01MF	
C1581	CZ1016D2J	C CAPACITOR	100PF		C1668	CX476012L	E CAPACITOR	47MF/6.3V	
C1582	CZ1016D2J	C CAPACITOR	100PF		C1669	CY103623J	C CAPACITOR	0.01 MF	
C1583	CZ8216D2J	C CAPACITOR	820PF		C1677	CY472623J	C CAPACITOR	0.0047MF	
C1584	CZ8216D2J	C CAPACITOR	820PF		C1678	CY104623J	C CAPACITOR	0.1 MF	
C1585	CX475512L	E CAPACITOR	4.7MF/35V		C1682	CX106312L	E CAPACITOR	10MF/16V	
C1586	CX475512L	E CAPACITOR	4.7MF/35V		C1683	CY104623J	C CAPACITOR	0.1 MF	
C1587	CZ1216D2J	C CAPACITOR	100PF		C1684	CX476312L	E CAPACITOR	47MF/16V	
C1588	CZ1216D2J	C CAPACITOR	100PF		C1685	CY473623J	C CAPACITOR	0.047 MF	
C1589	CX475512L	E CAPACITOR	4.7MF/35V		C1686	CY473623J	C CAPACITOR	0.047 MF	
C1590	CX475512L	E CAPACITOR	4.7MF/35V		C1687	CY473623J	C CAPACITOR	0.047 MF	
C1591	CX476012L	E CAPACITOR	47MF/6.3V		C1688	CY473623J	C CAPACITOR	0.047 MF	
C1592	CX476012L	E CAPACITOR	47MF/6.3V		C1689	CX476312L	E CAPACITOR	47MF/16V	
C1593	CX476312L	E CAPACITOR	47MF/16V		C1690	CS106160N-A	CAPACITOR	10MF/10V	
C1594	CY102623J	C CAPACITOR	0.001 MF		R1501	RK822JA0J	COMP.RESISTOR	1/10W 8.2 K	
C1595	CY473623J	C CAPACITOR	0.047MF		R1502	RK271JA0J	C RESISTOR	1/10W270	
C1596	CZ1016D2J	C CAPACITOR	100PF		R1503	RK103JA0J	C RESISTOR	1/10W10K	
C1597	CY102623J	C CAPACITOR	0.001 MF		R1504	RK271JA0J	C RESISTOR	1/10W270	
C1598	CY102623J	C CAPACITOR	0.001 MF		R1505	RK102JA0J	C RESISTOR	1/10W1K	
C1601	CX476012L	E CAPACITOR	47MF/6.3V		R1506	RK102JA0J	C RESISTOR	1/10W1K	
C1602	CY103623J	C CAPACITOR	0.01MF		R1507	RK101JA0J	C RESISTOR	1/10W100	
C1603	CX107012L	E CAPACITOR	100MF/6.3V		R1508	RK101JA0J	C RESISTOR	1/10W100	
C1604	CY103623J	C CAPACITOR	0.01 MF		R1509	RK101JA0J	C RESISTOR	1/10W100	
C1605	CY682623J	C CAPACITOR	0.0068MF		R1510	RK101JA0J	C RESISTOR	1/10W100	
C1606	CX476012L	E CAPACITOR	47MF/6.3V		R1511	RK101JA0J	C RESISTOR	1/10W100	
C1607	CY103623J	C CAPACITOR	0.01 MF		R1512	RK101JA0J	C RESISTOR	1/10W100	
C1608	CY104623J	C CAPACITOR	0.1MF		R1513	RK101JA0J	C RESISTOR	1/10W100	
C1609	CY104623J	C CAPACITOR	0.1MF		R1514	RK102JA0J	C RESISTOR	1/10W1K	
C1610	CZ5R06A2J	C CAPACITOR	5PF		R1515	RK101JA0J	C RESISTOR	1/10W100	
C1611	CZ6806D2J	C CAPACITOR	68PF		R1516	RK101JA0J	C RESISTOR	1/10W100	
C1612	CY103623J	C CAPACITOR	0.01 MF		R1518	RK472JA0J	C RESISTOR	1/10W4.7K	
C1613	CY103623J	C CAPACITOR	0.01 MF		R1527	RK104JA0J	C RESISTOR	1/10W 100K	
C1614	CY103623J	C CAPACITOR	0.01MF		R1528	RK473JA0J	C RESISTOR	1/10W 47K	
C1615	CS106160N-A	CAPACITOR	10MF/10V		R1530	RK473JA0J	C RESISTOR	1/10W47K	
C1621	CY103623J	C CAPACITOR	0.01MF		R1531	RK473JA0J	C RESISTOR	1/10W 47K	
C1622	CX476012L	E CAPACITOR	47MF/6.3V		R1533	RK473JA0J	C RESISTOR	1/10W 47K	
C1623	CZ4706D2J	C CAPACITOR	47 PF		R1534	RK473JA0J	C RESISTOR	1/10W 47K	
C1624	CY153623J	C CAPACITOR	0.015 MF		R1535	RK473JA0J	C RESISTOR	1/10W 47K	
C1625	CY103623J	C CAPACITOR	0.01MF		R1536	RK102JA0J	C RESISTOR	1/10W1K	
C1626	CY222623J	C CAPACITOR	0.0022MF		R1537	RK473JA0J	C RESISTOR	1/10W47K	
C1627	CY103623J	C CAPACITOR	0.01MF		R1538	RK473JA0J	C RESISTOR	1/10W47K	
C1628	CX476012L	E CAPACITOR	47MF/6.3V		R1539	RK102JA0J	C RESISTOR	1/10W1K	
C1629	CY333623J	C CAPACITOR	0.033 MF		R1540	RK473JA0J	C RESISTOR	1/10W47K	
C1630	CY333623J	C CAPACITOR	0.033 MF		R1541	RK102JA0J	C RESISTOR	1/10W1K	
C1631	CZ4716D2J	C CAPACITOR	470 PF		R1542	RK101JA0J	C RESISTOR	1/10W100	
C1632	CZ4716D2J	C CAPACITOR	470 PF		R1543	RK000JA0J	C RESISTOR	1/10W0	
C1633	CY473623J	C CAPACITOR	0.047 MF		R1544	RK102JA0J	C RESISTOR	1/10W1K	
C1634	CY473623J	C CAPACITOR	0.047 MF		R1545	RK103JA0J	C RESISTOR	1/10W10K	
C1635	CY473623J	C CAPACITOR	0.047 MF		R1546	RK104JA0J	C RESISTOR	1/10W100K	
C1636	CY473623J	C CAPACITOR	0.047MF		R1551	RK104JA0J	C RESISTOR	1/10W100K	
C1637	CY473623J	C CAPACITOR	0.047MF		R1552	RK104JA0J	C RESISTOR	1/10W100K	
C1638	CY103623J	C CAPACITOR	0.01MF		R1553	RK183JA0J	COMP.RESISTOR	1/10W18K	
C1639	CX476012L	E CAPACITOR	47MF/6.3V		R1554	RK333JA0J	COMP.RESISTOR	1/10W30K	
C1640	CY103623J	C CAPACITOR	0.01MF		R1555	RK101JA0J	C RESISTOR	1/10W100	
C1641	CX476012L	E CAPACITOR	47MF/6.3V		R1556	RK000JA0J	C RESISTOR	1/10W0	
C1642	CZ1016D2J	C CAPACITOR	100PF		R1557	RK104JA0J	C RESISTOR	1/10W100K	
C1643	CY103623J	C CAPACITOR	0.01MF		R1558	RK104JA0J	C RESISTOR	1/10W100K	
C1644	CY334122J	C CAPACITOR	0.33MF		R1559	RK000JA0J	C RESISTOR	1/10W0	
C1645	CX476012L	E CAPACITOR	47MF/6.3V		R1560	RK101JA0J	C RESISTOR	1/10W100	
C1646	CY103623J	C CAPACITOR	0.01MF		R1561	RK104JA0J	C RESISTOR	1/10W100K	
C1648	CZ4716D2J	C CAPACITOR	470 PF		R1562	RK392JA0J	C RESISTOR	1/10W3.9	
C1651	CX476012L	E CAPACITOR	47MF/6.3V		R1563	RK682JA0J	COMP.RESISTOR	1/10W6.8K	
C1652	CY103623J	C CAPACITOR	0.01 MF		R1567	RK101JA0J	C RESISTOR	1/10W 100	
C1653	CX476012L	E CAPACITOR	47MF/6.3V		R1568	RK102JA0J	C RESISTOR	1/10W1K	
C1654	CY104623J	C CAPACITOR	0.1 MF		R1569	RK102JA0J	C RESISTOR	1/10W1K	
C1655	CY103623J	C CAPACITOR	0.01 MF		R1570	RK102JA0J	C RESISTOR	1/10W1K	
C1656	CY104623J	C CAPACITOR	0.1 MF		R1572	RK473JA0J	C RESISTOR	1/10W47K	
C1657	CY104623J	C CAPACITOR	0.1 MF		R1573	RK473JA0J	C RESISTOR	1/10W47K	
C1658	CY104623J	C CAPACITOR	0.1 MF		R1574	RK470JA0J	COMP.RESISTOR	1/10W 47	
C1659	CY104623J	C CAPACITOR	0.1 MF		R1576	RK272JA0J	C RESISTOR	1/10W 2.7 K	
C1660	CZ1016D2J	C CAPACITOR	100PF		R1581	RK203JA0J	RESISTOR	1/10W20K	
C1661	CY103623J	C CAPACITOR	0.01 MF		R1582	RK203JA0J	RESISTOR	1/10W20K	
C1662	CZ1016D2J	C CAPACITOR	100PF		R1583	RK123JA0J	C RESISTOR	1/10W12K	
C1663	CY104623J	C CAPACITOR	0.1MF						

Symbol No.	Part No.	Part Name	Description	Local	Symbol No.	Part No.	Part Name	Description	Local
R1584	RK123JA0J	C RESISTOR	1/10W12K		R1684	RK153JA0J	C RESISTOR	1/10W15K	
R1585	RK303JA0J	COMP.RESISTOR	1/10W30K		R1685	RK333JA0J	COMP.RESISTOR	1/10W30K	
R1586	RK303JA0J	COMP.RESISTOR	1/10W30K		R1686	RK822JA0J	COMP.RESISTOR	1/10W8.2K	
R1587	RK473JA0J	C RESISTOR	1/10W47K		R1687	RK000JA0J	C RESISTOR	1/10W0	
R1588	RK473JA0J	C RESISTOR	1/10W47K		R1688	RK303JA0J	COMP.RESISTOR	1/10W30K	
R1589	RK103JA0J	C RESISTOR	1/10W10K		R1689	RK223JA0J	C RESISTOR	1/10W22K	
R1590	RK103JA0J	C RESISTOR	1/10W10K		R1691	RK000J32J	COMP.RESISTOR	1/4W0	
R1591	RK103JA0J	C RESISTOR	1/10W10K		L1501	LC470K36J	CHOKE COIL	47MH	
R1592	RK103JA0J	C RESISTOR	1/10W10K		L1502	LC470K36J	CHOKE COIL	47MH	
R1593	RK4R7JA0J	C RESISTOR	1/10W 4.7		L1571	LC470K36J	CHOKE COIL	47MH	
R1601	RK823JA0J	COMP.RESISTOR	1/10W 82 K		L1572	LC470K36J	CHOKE COIL	47MH	
R1602	RK823JA0J	COMP.RESISTOR	1/10W 82 K		L1621	LC470K36J	CHOKE COIL	47MH	
R1603	RK334JA0J	COMP.RESISTOR	1/10W 330K		L1622	LC470K36J	CHOKE COIL	47MH	
R1604	RK334JA0J	COMP.RESISTOR	1/10W 330K		L1623	LC470K36J	CHOKE COIL	47MH	
R1605	RK220JA0J	C RESISTOR	1/10W 22		L1651	LC470K36J	CHOKE COIL	47MH	
R1606	RK220JA0J	C RESISTOR	1/10W 22		L1652	LC470K36J	CHOKE COIL	47MH	
R1607	RK823JA0J	COMP.RESISTOR	1/10W 82 K		L1653	LC470K36J	CHOKE COIL	47MH	
R1608	RK821JA0J	C RESISTOR	1/10W 820		CN1501	KZ054220L	CONNECTOR	22P	
R1609	RK563JA0J	C RESISTOR	1/10W 56K		CN1502	KZ040080L	CONNECTOR	8P FPC	
R1610	RK101JA0J	C RESISTOR	1/10W 100		CN1601	KZ051220L	CONNECTOR	22P	
R1611	RK103JA0J	C RESISTOR	1/10W 10K		RN1517	RR101J01J	RESISTOR	1/16W 100	
R1612	RK202JA0J	COMP.RESISTOR	1/10W 2K		RN1522	RR101J01J	RESISTOR	1/16W 100	
R1613	RK102JA0J	C RESISTOR	1/10W 1 K		RN1547	RR472J01J	RESISTOR	RR 1/16W 4.7 K	
R1614	RK153JA0J	C RESISTOR	1/10W 15K		TH1501	TH103J07J	THERMISTOR	10K	
R1615	RK151JA0J	COMP.RESISTOR	1/10W 150		X1501	000171730-T	CRYSTAL	6MHZ	
R1616	RK103JA0J	C RESISTOR	1/10W 10K		X1571	000171740-T	CRYSTAL	16.9344MHZ	
R1621	RK470JA0J	COMP.RESISTOR	1/10W 47		OT1	PTP008511	CD PWB		
R1622	RK470JA0J	COMP.RESISTOR	1/10W 47						
R1623	RK470JA0J	COMP.RESISTOR	1/10W 47						
R1624	RK562JA0J	COMP.RESISTOR	1/10W 5.6 K						
R1625	RK473JA0J	C RESISTOR	1/10W 47K						
R1626	RK474JA0J	COMP.RESISTOR	1/10W 470K						
R1627	RK103JA0J	C RESISTOR	1/10W 10K						
R1628	RK225JA0J	COMP.RESISTOR	1/10W 2.2 M						
R1629	RK103JA0J	C RESISTOR	1/10W 10K						
R1630	RK101JA0J	C RESISTOR	1/10W 100						
R1631	RK101JA0J	C RESISTOR	1/10W 100						
R1632	RK000JA0J	C RESISTOR	1/10W 0						
R1633	RK000JA0J	C RESISTOR	1/10W 0						
R1634	RK000JA0J	C RESISTOR	1/10W 0						
R1635	RK101JA0J	C RESISTOR	1/10W 100						
R1636	RK101JA0J	C RESISTOR	1/10W 100						
R1637	RK105JA0J	COMP.RESISTOR	1/10W 1 M						
R1638	RK472JA0J	C RESISTOR	1/10W 4.7 K						
R1639	RK472JA0J	C RESISTOR	1/10W 4.7 K						
R1640	RK472JA0J	C RESISTOR	1/10W 4.7 K						
R1641	RK472JA0J	C RESISTOR	1/10W 4.7 K						
R1642	RK103JA0J	C RESISTOR	1/10W 10K						
R1651	RK104JA0J	C RESISTOR	1/10W100K						
R1652	RK474JA0J	COMP.RESISTOR	1/10W470K						
R1653	RK474JA0J	COMP.RESISTOR	1/10W470K						
R1654	RK470JA0J	COMP.RESISTOR	1/10W47						
R1655	RK000JA0J	C RESISTOR	1/10W0						
R1656	RK000JA0J	C RESISTOR	1/10W0						
R1657	RK000JA0J	C RESISTOR	1/10W0						
R1658	RK474JA0J	COMP.RESISTOR	1/10W470K						
R1659	RK474JA0J	COMP.RESISTOR	1/10W470K						
R1660	RK474JA0J	COMP.RESISTOR	1/10W470K						
R1661	RK474JA0J	COMP.RESISTOR	1/10W470K						
R1663	RK474JA0J	COMP.RESISTOR	1/10W470K						
R1664	RK474JA0J	COMP.RESISTOR	1/10W470K						
R1666	RK474JA0J	COMP.RESISTOR	1/10W 470K						
R1667	RK474JA0J	COMP.RESISTOR	1/10W 470K						
R1668	RK000JA0J	C RESISTOR	1/10W 0						
R1669	RK474JA0J	COMP.RESISTOR	1/10W 470K						
R1670	RK474JA0J	COMP.RESISTOR	1/10W 470K						
R1671	RK474JA0J	COMP.RESISTOR	1/10W 470K						
R1672	RK474JA0J	COMP.RESISTOR	1/10W 470K						
R1673	RK474JA0J	COMP.RESISTOR	1/10W 470K						
R1674	RK331JA0J	C RESISTOR	1/10W 330						
R1675	RK331JA0J	C RESISTOR	1/10W 330						
R1677	RK105JA0J	COMP.RESISTOR	1/10W 1 M						
R1679	RK000JA0J	C RESISTOR	1/10W 0						
R1680	RK000JA0J	C RESISTOR	1/10W0						
R1681	RK682JA0J	COMP.RESISTOR	1/10W6.8K						
R1682	RK682JA0J	COMP.RESISTOR	1/10W6.8K						
R1683	RK472JA0J	C RESISTOR	1/10W4.7K						